

TW3-P335-D2T3 TW3-P335B-D2T3

INSTRUCTION BOOK / PARTSLIST



CYLINDER BED COMPOUND FEED LOCKSTITCH SEWING MACHINE
WITH AUTOMATIC THREAD TRIMMER

TYPICAL

CONTENT

OPERATION INSTRUCTION

1. Brief introduction.....	1
2. Main specifications.....	1
3. Feed adjustment/reverse stitching.....	1
4. Adjusting the upper feed stroke.....	1
5. Winding bobbin thread.....	2
6. Adjusting the bobbin thread tension.....	2
7. Threading needle thread/adjusting the tension of needle thread.....	2
8. Maintenance.....	3
9. Oiling.....	3
10. Lubricating the hook.....	4
11. Lubricating the machine head.....	4
12. Adjusting the feed dog.....	5
13. Pre-adjusting the needle height.....	5
14. Centering the needle in the needle hole.....	6
15. Adjusting the feed dog position.....	7
16. Position of needle and rotary hook.....	7
17. Adjusting the lifting amount of presser feet.....	7
18. Top feed adjustment.....	8
19. Needle thread tension release.....	8
20. Bobbin thread winder.....	8
21. Adjusting the position of clutch lever.....	9
22. Adjusting the position of movable knife.....	9-10
PARTS MANUAL	
23. Adjusting the tension release when cutting.....	11
24. Adjusting the position of needle up and down.....	11
1. Machine casting components.....	12-13
2. Needle and presser foot components.....	14-15
3. Needle bar frame components.....	16-17
4. Thread take-up and thread tension components.....	18-19
5. Auto-lifter components.....	20-21
6. Upper shaft and thread winding components.....	22-23
7. Needle bar frame rocking shaft components.....	24-25
8. Feed adjustment components.....	26-27
9. Vertical shaft components.....	28-29
10. Lower feed components.....	30-31
11. Lower shaft and hook components.....	32-33
12. Auto-reverse stitching components.....	34-35
13. Automatic thread trimmer components.....	36-37
14. Accessories.....	38-39
15. Pneumatic parts (252WF5-004).....	40

OPERATION INSTRUCTION

1. Brief introduction

Machine adopts compound feed and high lifting amount of presser feet assures the convenient operation, the small cylindrical bed enlarges the working space, this machine has the features of easy adjustment, beautiful stitch seam, etc. It is widely used for leather goods, shoes and cushion, etc.

3. Feed adjustment/reverse stitching (Fig. 1)

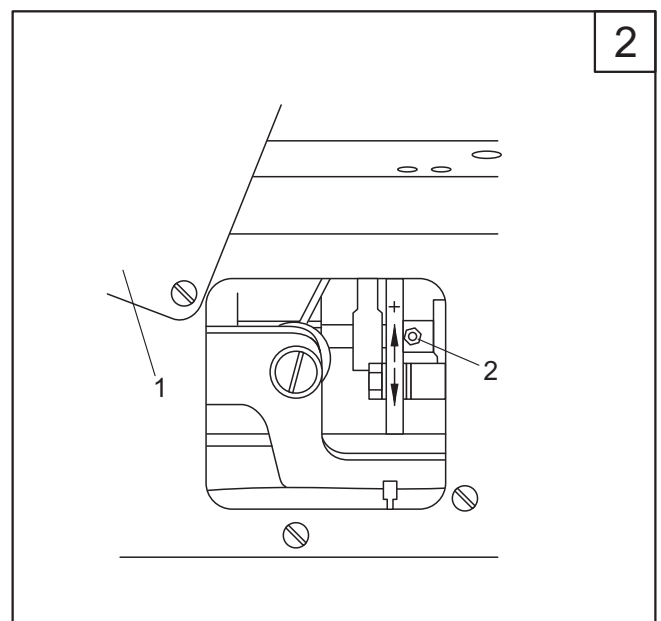
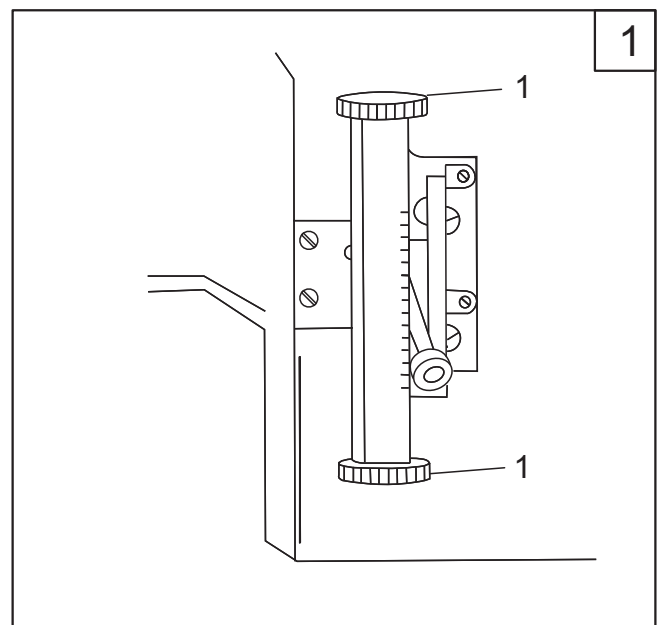
To adjust the stitch length by turn the dial 1. And lift the bar to start the reverse stitching.

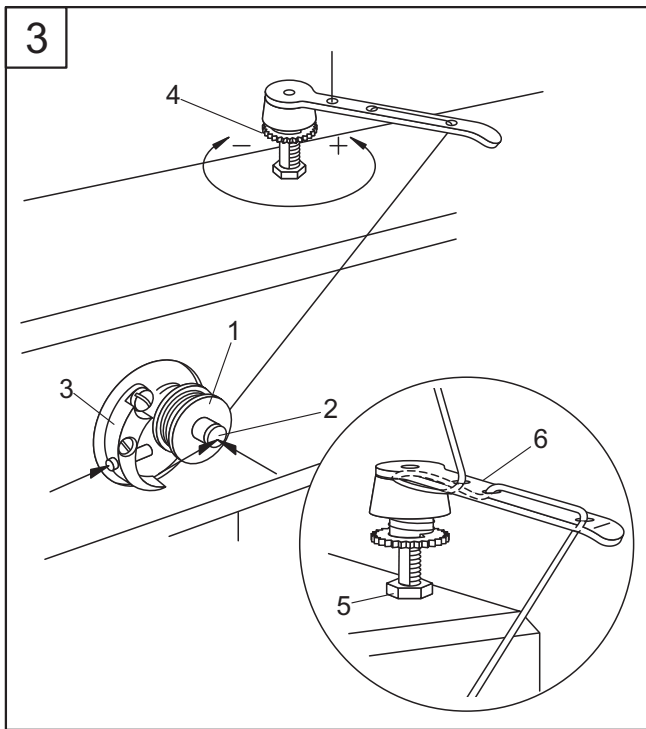
4. Adjusting the upper feed stroke(Fig. 2)

Open the rear cover 1, loosen the screw 2, and upon required, move it up or down.

2. Main specification

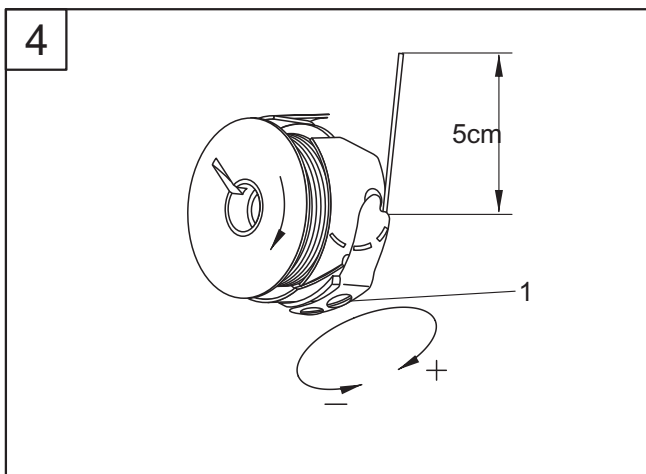
Application	Medium and heavy duty
Max. sewing speed	2400 s.p.m
Max. stitch length	6mm
Needle bar stroke	33.4mm
Presser foot lifting height	10mm by hand; 14mm automatic
Max. lifting amount of presser feet	6mm
Needle	DPx17 14#~18#
Diameter of cylinder bed	46.5mm
Lubrication	Semi-lubrication
Motor	AC Servo motor





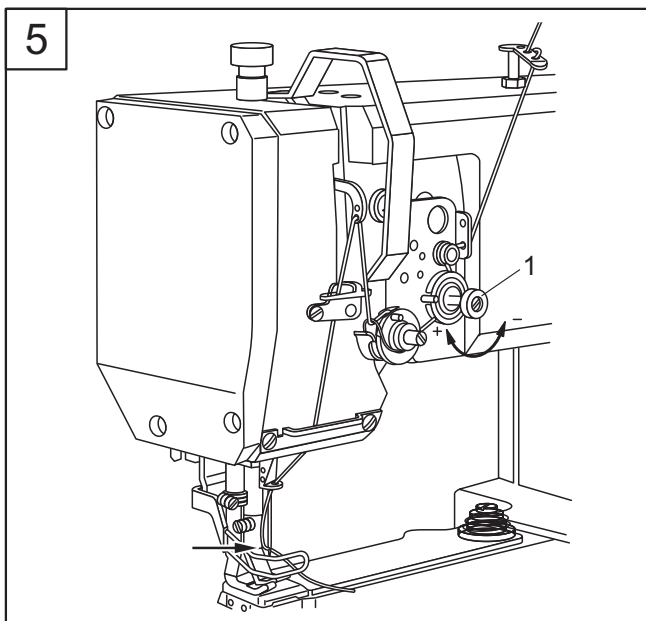
5. Winding bobbin thread (Fig. 3)

1. Put the bobbin into the bobbin shaft 2;
 2. As shown by Fig. 3, draw out the thread and winding several circles clockwise on the bobbin;
 3. Press down the shaft 2 and the gib 3 to start the winding;
 4. Adjust the tension of bobbin 1 by turning the screw 4;
 5. When the bobbin winding is full, the winding operation will stop automatically;
- If the winding is abnormal, loosen the nut 5, and as required, move the thread guide 6, then tighten the nut 6.



6. Adjusting the bobbin thread tension (Fig. 4)

1. Draw out the bobbin thread shown by Fig. 4.
- ※When the bobbin thread is drawn out, the bobbin should turn as the arrow goes.
2. Adjusting the tension of bobbin thread by turning the screw 1.



7. Threading needle thread/adjusting the tension of needle thread (Fig. 5)

1. Threading as the Fig. 5 shows;
- ※Pass the thread through the needle eye from the left side
2. Adjusting the tension of needle thread by turning the screw 1.

8. Maintenance(Fig. 6)

Clean hook aperture	Every day
Normal oiling	Twice a week
Machine head oiling	Twice a week
Check oil box for hook	Once a week
Clean hook	Once a week
Oiling the upper feed driven eccentric	Once a year

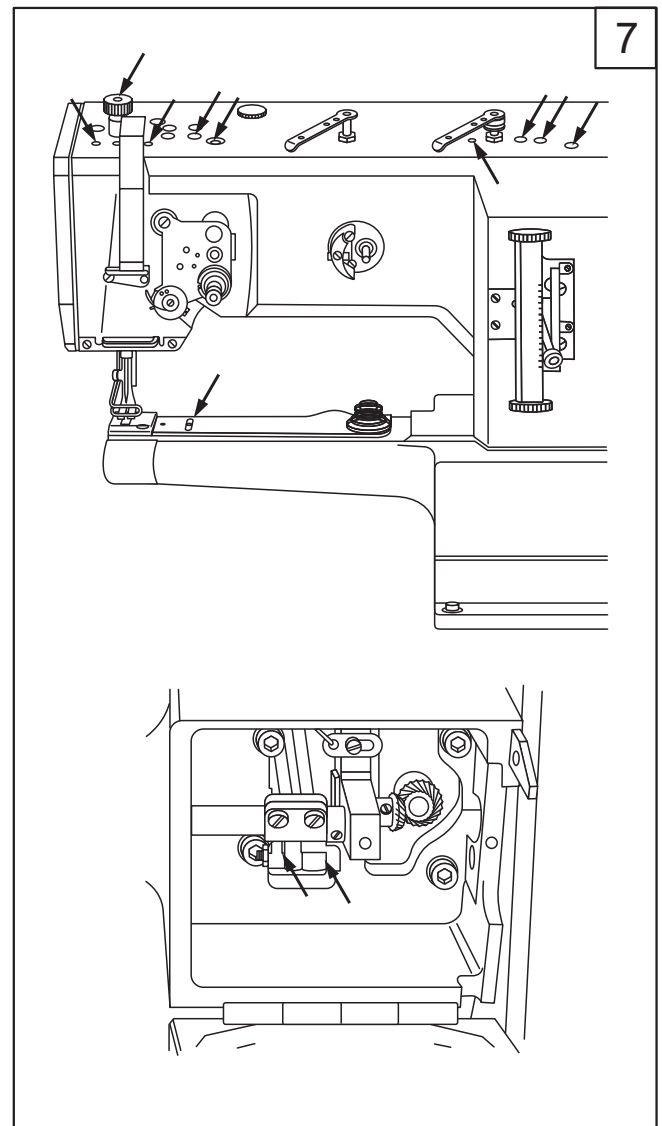
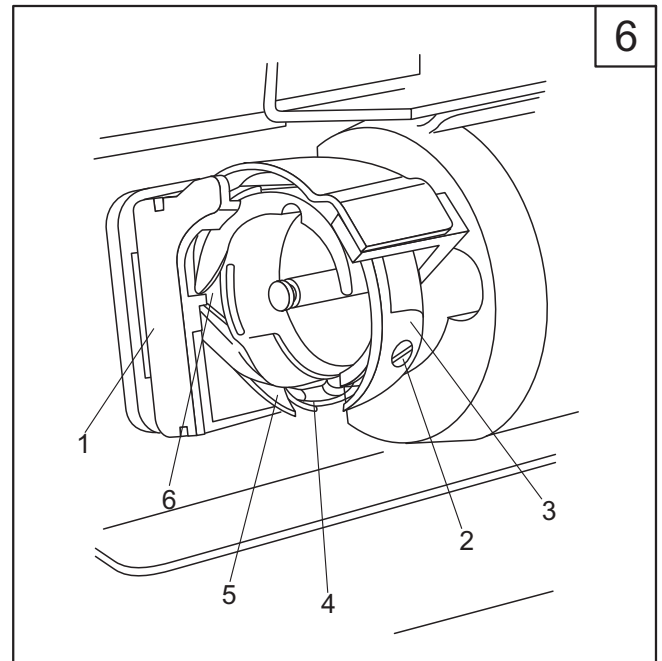
※ The above data is due to the normal situation, if the machine is used frequently, the interval of the maintenance should be shortened.

Maintenance for rotary hook (Fig. 6)

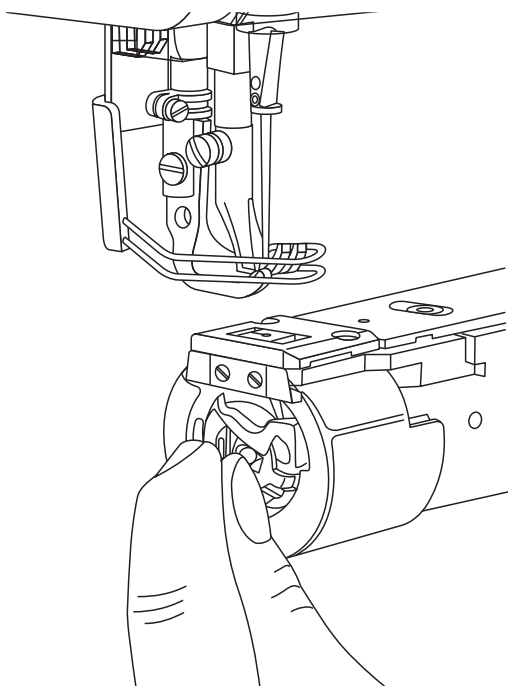
1. Clean the hook aperture with brush every day;
2. Clean the rotary hook thoroughly every week as follows:
 - a. Open the slide plate and lift the needle bar to its highest point;
 - b. Take out the bobbin case and bobbin;
 - c. Release the position block 1,
 - d. Loosen the screw 2 and take out the hook point;
 - e. Turn the hand wheel until the point 4 and 5 reach at the same height;
 - f. Take out the rotating hook and clean it with oil
 - g. Installation is a reverse process, make sure that the position block 1 is in the groove 6;
 - h. Close the cover plate.

Oiling the machine twice a week at the position showed by the arrows.

Please use 10# sewing oil



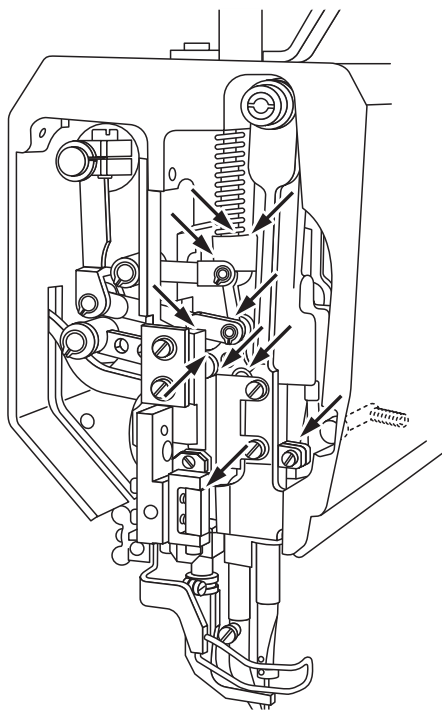
8



10. Lubricating the hook (Fig. 8)

1. Take out the bobbin case;
2. Oil the position one or two drops showed by the arrow;
3. Insert the bobbin case

9



11. Lubricating the machine head (Fig. 9)

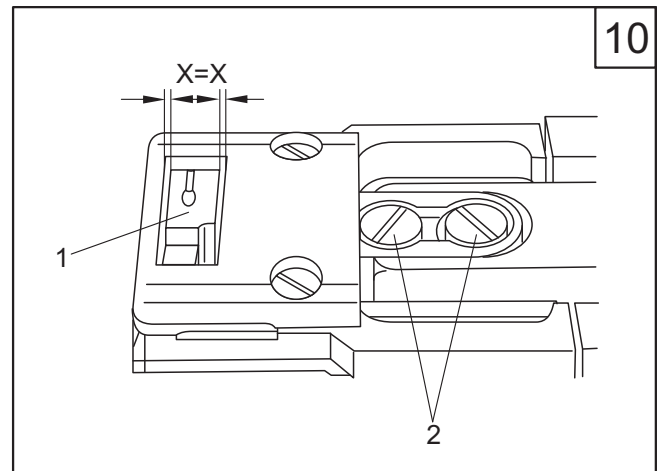
1. Open the face plate;
2. Oil at all moving position twice a week as illustrated;
3. Close the face plate.

12. Adjusting the feed dog

1. Positioning the feed dog across the direction of sewing (Fig. 10)

- a. Loosen the screw 2;
- b. Adjust the feed dog as required;
- c. Tighten the screw 1.

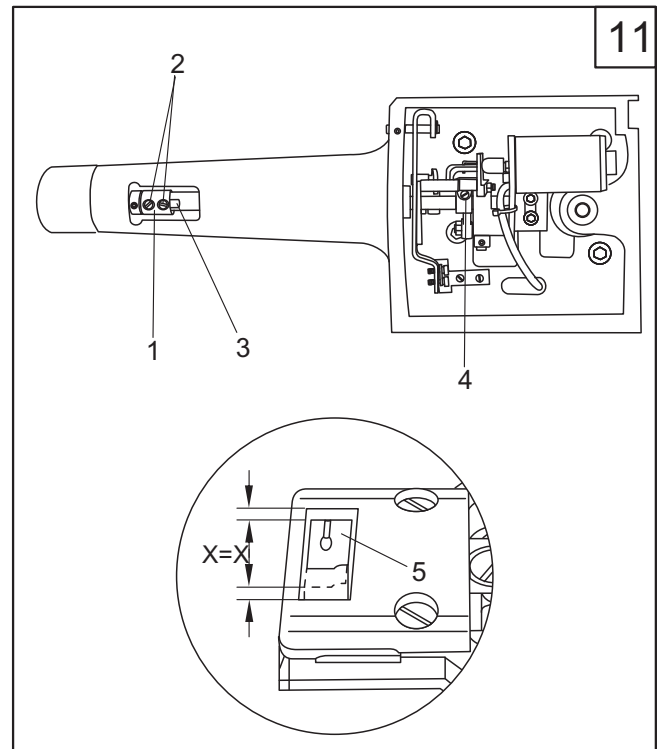
※ The feed dog must be the same distance from the left and right side of the needle plate cutout.



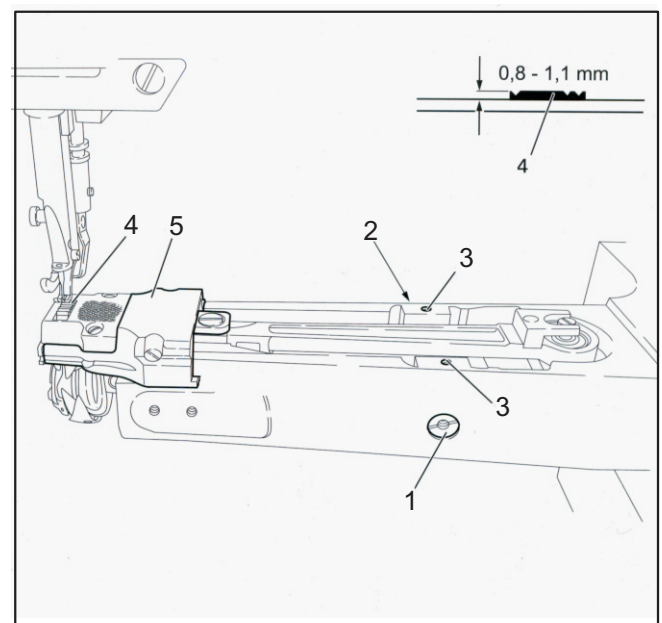
2. Positioning the feed dog in the direction of sewing (Fig. 11)

- a. Set the stitch length max.
- b. Loosen the screw 2 to turn the crank 1 to the left, tighten the screw 2 until it's touched with the surface 3 of the shaft;
- c. Loosen the screw 4;
- d. Move the feed dog as required;
- e. Tighten the screw 4.

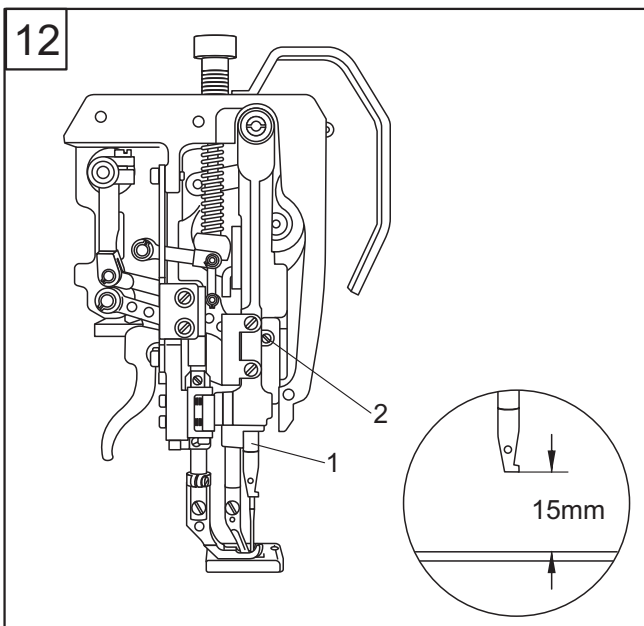
※ When set the stitch length max. the front and the rear clearance between the feed dog and needle plate groove should be same.



Set the stitch length zero, adjust the part 1, 2 and 3 to make the part 4 (feed dog) 0.8mm-1.1mm higher than the needle plate surface.



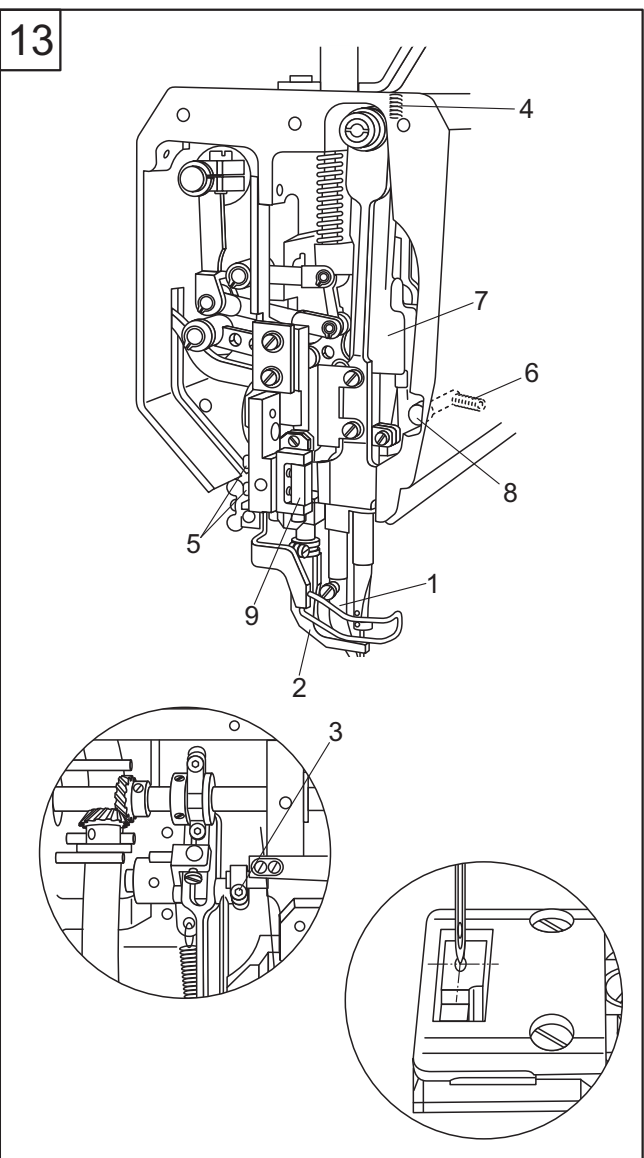
12



13. Pre-adjust the needle height (Fig. 12)

Move the needle bar 1 (screw 2) up and down and as required, adjust it to the right position.
 ※When the needle bar is at the lowest position, the clearance between needle bar and needle plate should be 15mm.

13



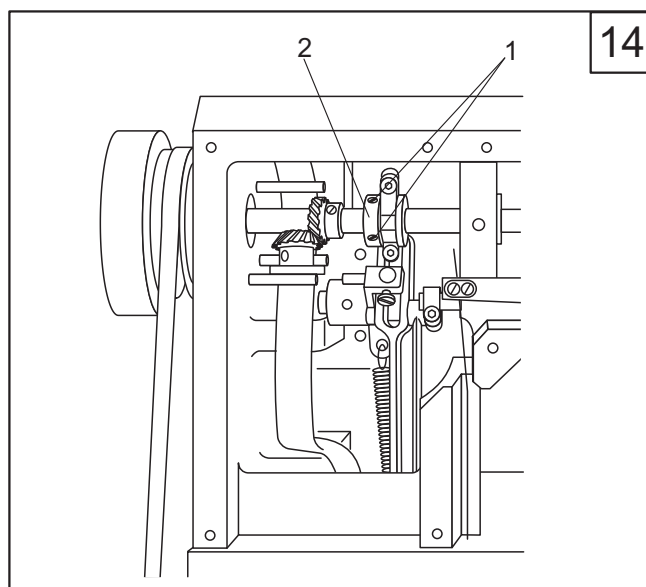
14. Centering the needle in the needle hole (Fig. 15)

1. Loosen the walking foot 1 and presser foot 2.
2. Set the stitch length zero, and lift the needle bar to its highest position;
3. Insert a new needle, and loosen the screw 3,4, 5,6;
4. Turn the hand wheel, and pass the needle directly through the feed dog;
5. As required, move the needle bar rocking frame 7;
6. Tighten the screw 3,4,5.
7. Move the pin 8 to make it be touched with the needle bar frame 7, then tighten the screw 6.

※ When set the stitch length zero, the needle must enter the needle hole exactly in the middle.

15. Adjusting the feed dog position (Fig. 14)

1. Set the stitch length max.;
 2. Loosen the screw 1 to make the feed eccentric cam 2 turn on the shaft;
 3. Adjust the needle bar to its lowest position;
 4. Turn the eccentric cam 2 to make the throw of the eccentric upward, and turn it a bit as required;
 5. Tighten the screw 1;
 6. Check it as required
- ※ Set the stitch length max. and needle bar at its lowest position, when the release lever is working, it will not feed.

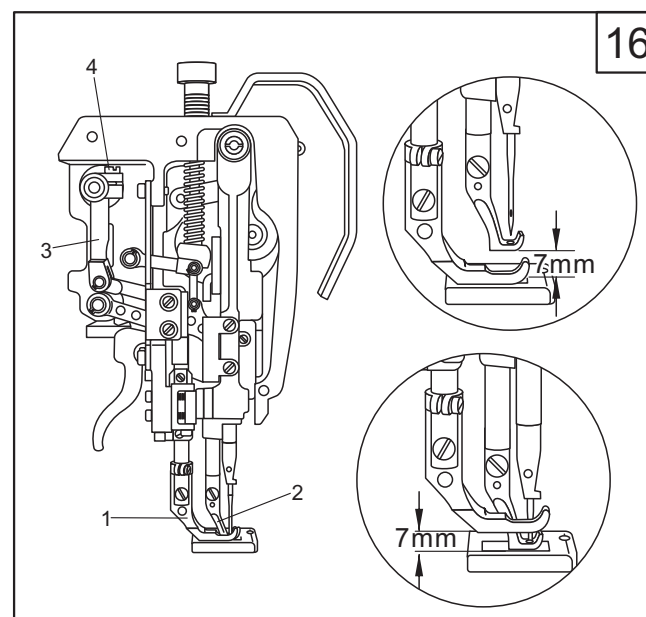
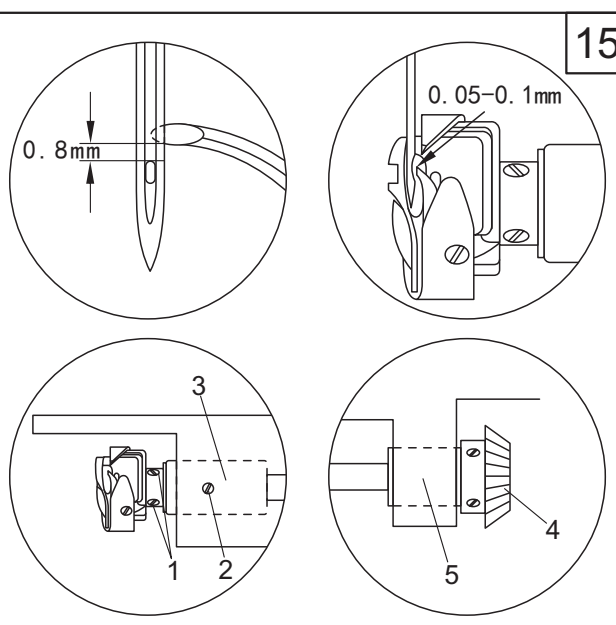


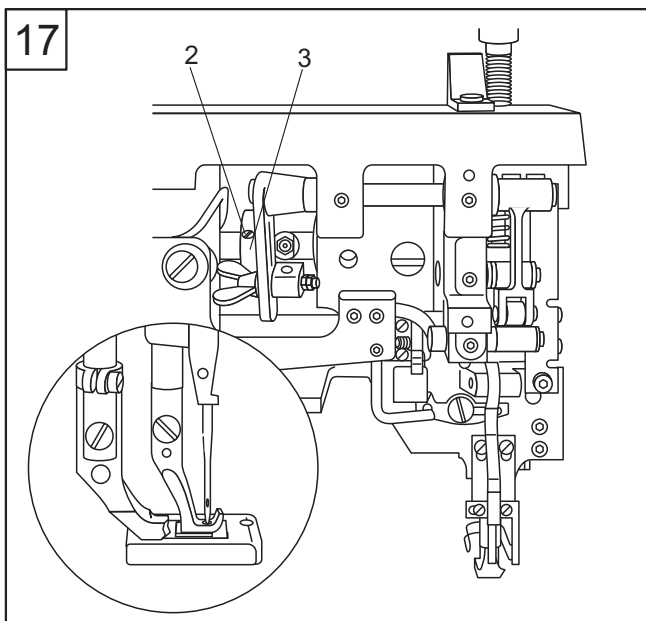
16. Position of needle and rotary hook (Fig. 15)

1. Set the stitch length to "0", and loosen the screw 1 and 2;
 2. Lower the needle to its lowest position, and continue to turn the hand wheel to raise 1.8mm from the needle's lowest position;
 3. Move the hook as required.
 4. Make the collar touch the hook, then tighten the screw 2.
 5. Make sure that the gear 4 touched the bush 5, then tighten the screw 1.
- ※ When the stitch length is set to 0, and the needle is lifted 1.8mm from its lowest position, the following requirements must be reached:
- a. The hook point must reach the center of the needle and the clearance between them should be 0.05-0.1mm
 - b. The vertical clearance between the top of needle eye and hook point is 0.8mm;

17. Adjusting the lifting amount of presser feet (Fig. 16)

1. Set the stitch length to "zero" and the lifting amount of presser feet to max.;
 2. Lower the presser foot 1 on the needle plate;
 3. Turn the hand wheel to lift the walking foot to its highest position;
 4. As required, move the crank 3 (screw 4);
 5. Check again.
- ※ When the stitch length is set to zero and the lifting amount of presser feet is at the max., turn the handwheel to make sure that both of the clearance between presser foot 1/walking foot 2 and needle plate are 7mm.

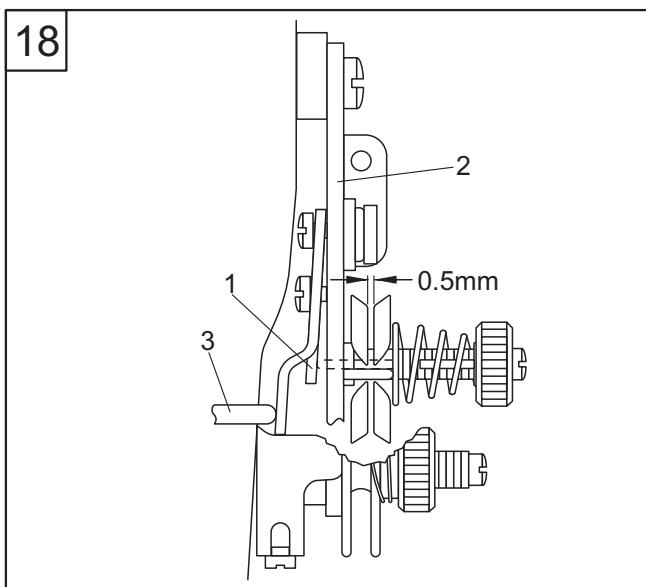




18. Top feed adjustment (Fig. 17)

1. Lower the presser foot on the needle plate;
2. Loosen the screw 2 until the feed lifting eccentric cam 3 can be turned reluctantly;
3. Adjust the eccentric cam 3 as required;
4. Tighten the screw 2;
5. Check again.

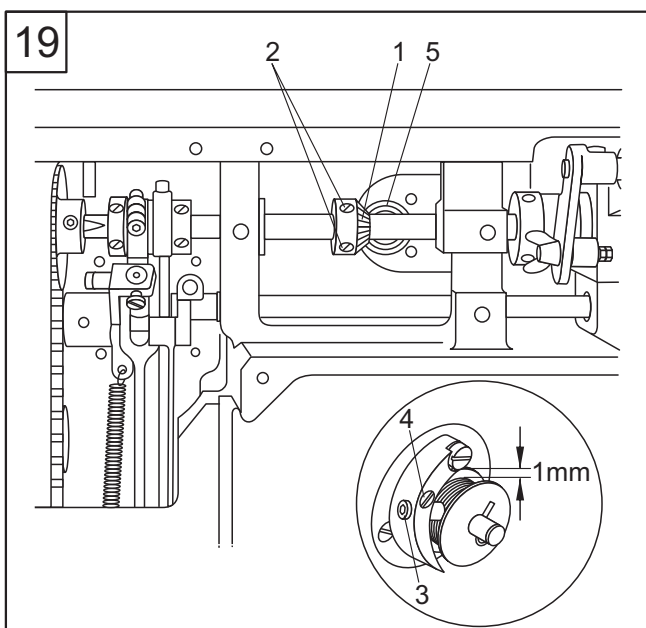
※ When the stitch length is set to max and the presser foot is lowered on the needle plate, the walking foot and the needle should reach the needle plate at the same time



19. Needle thread tension release (Fig. 18)

When the presser foot is lifted, the clearance between the two tension discs should be 0.5mm (0.5mm is the min. clearance, if applied to the thick thread, it should be adjusted to 1mm or more).

Adjust the plate 1 as required.

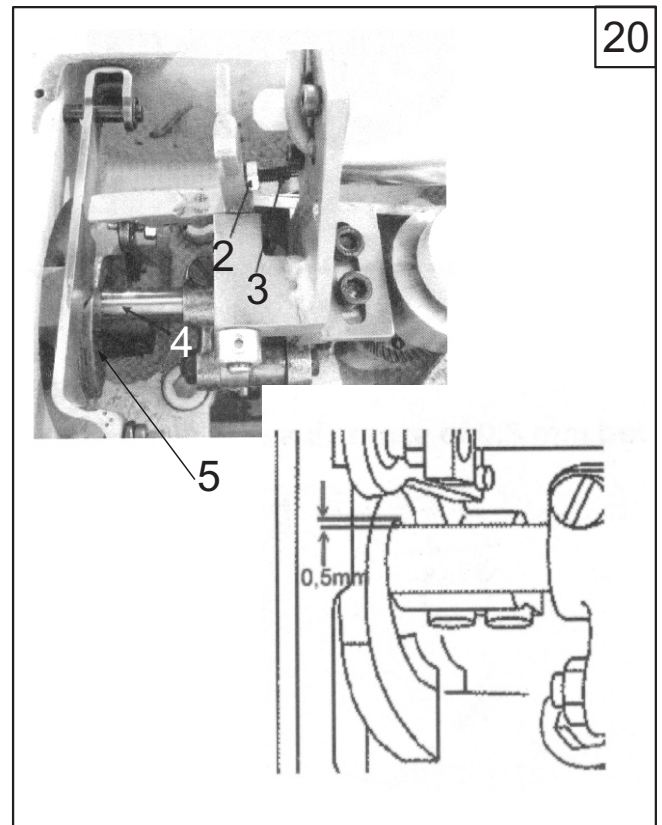


20. Bobbin thread winder (Fig. 19)

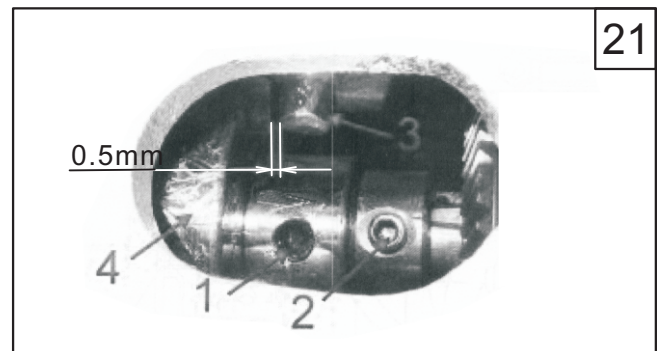
1. If the winder is on, it must work reliable, if the winder is off, the friction wheel 5 and the driving gear 1 should get apart;
2. When the thread level is about 1mm from the edge of the bobbin, the winding operation will stop automatically;
3. When winding, insert a bobbin on the winder shaft, threading and switch the winder on. Adjust the pin 3 and screw 4 as required if need.

21. Adjusting the position of clutch lever
(Fig. 20,21)

1. Adjust the nut 2 and screw 3 to make the clearance between part 5 and part 4 is 0.5mm.

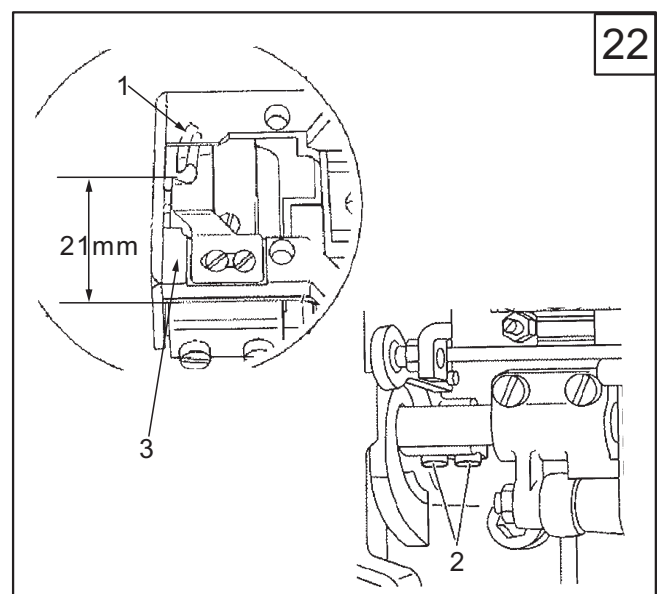


2. Loosen the screw 1 and 2 to make the clearance between part 3 and part 4 is 0.5mm.

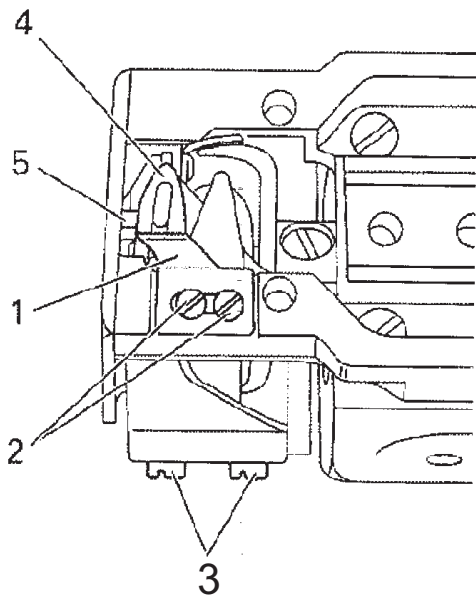
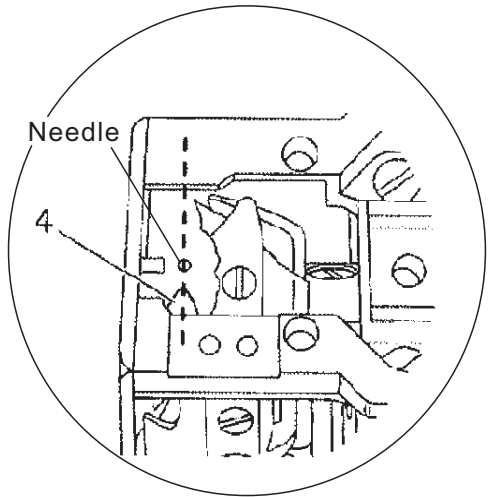


22. Adjusting the position of fixed knife (Fig. 22)

1. When start cutting, make the part 1 movable knife to its upmost forward position, adjust the screw 2 to make the distance between lower sharp of movable knife and part 3 be 21mm.



23

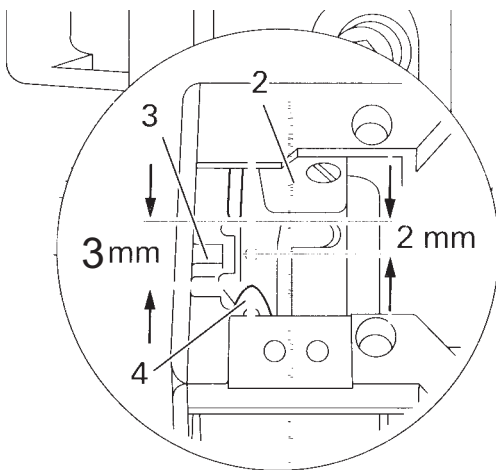


22. Adjusting the position of fixed knife
(Fig. 23,24)

2. Adjust the screw 3 to make the part 4 point of movable knife and needle at the same line

3. Adjust the screw 2 to make the left sides both of part 1 fixed knife and part 4 movable knife at the same line, also make sure the surface should be parallel.

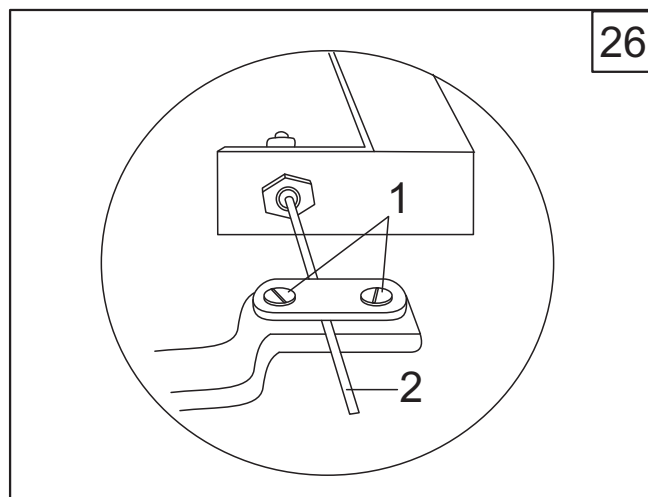
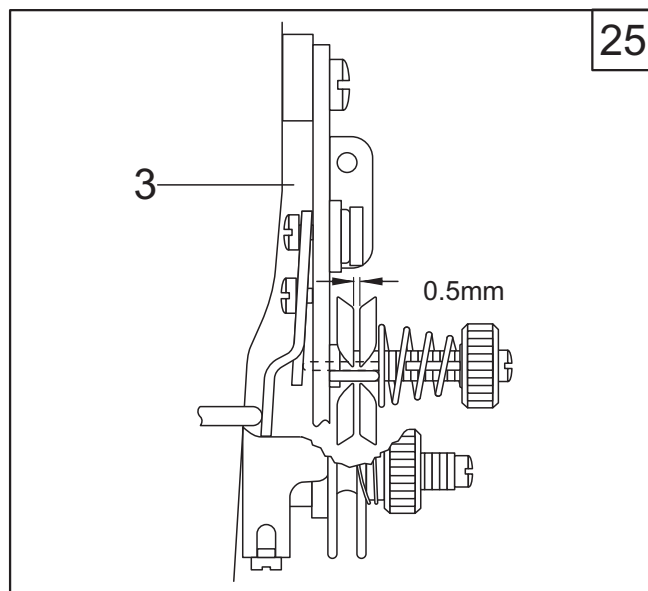
24



4. Adjust the screw 1, during the movable knife is running, when the distance between part 2 and part 3 is 2mm, the distance between point of movable knife and part 2 should be 3mm.

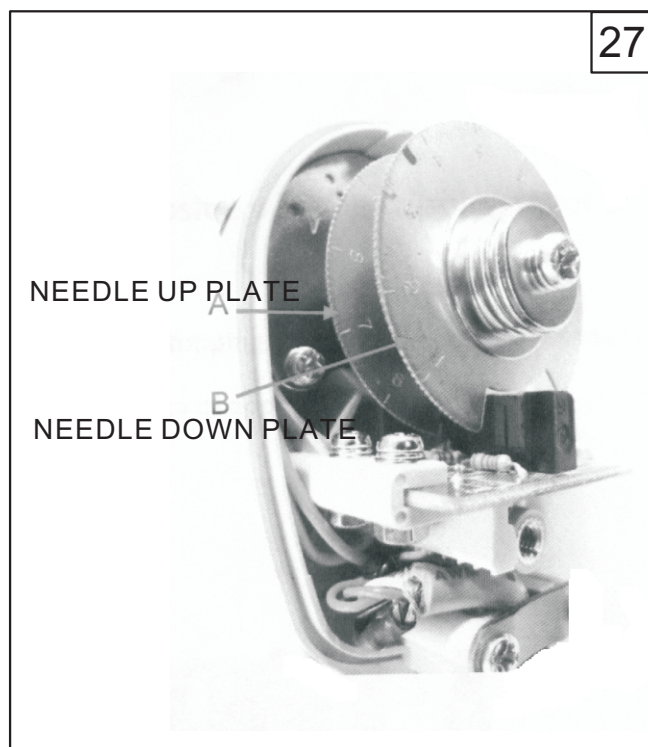
23. Adjusting the tension release when cutting(Fig. 26)

Adjust the screw 1 and steel cord 2 to make sure the clearance between two discs should be 0.5mm when tension release.



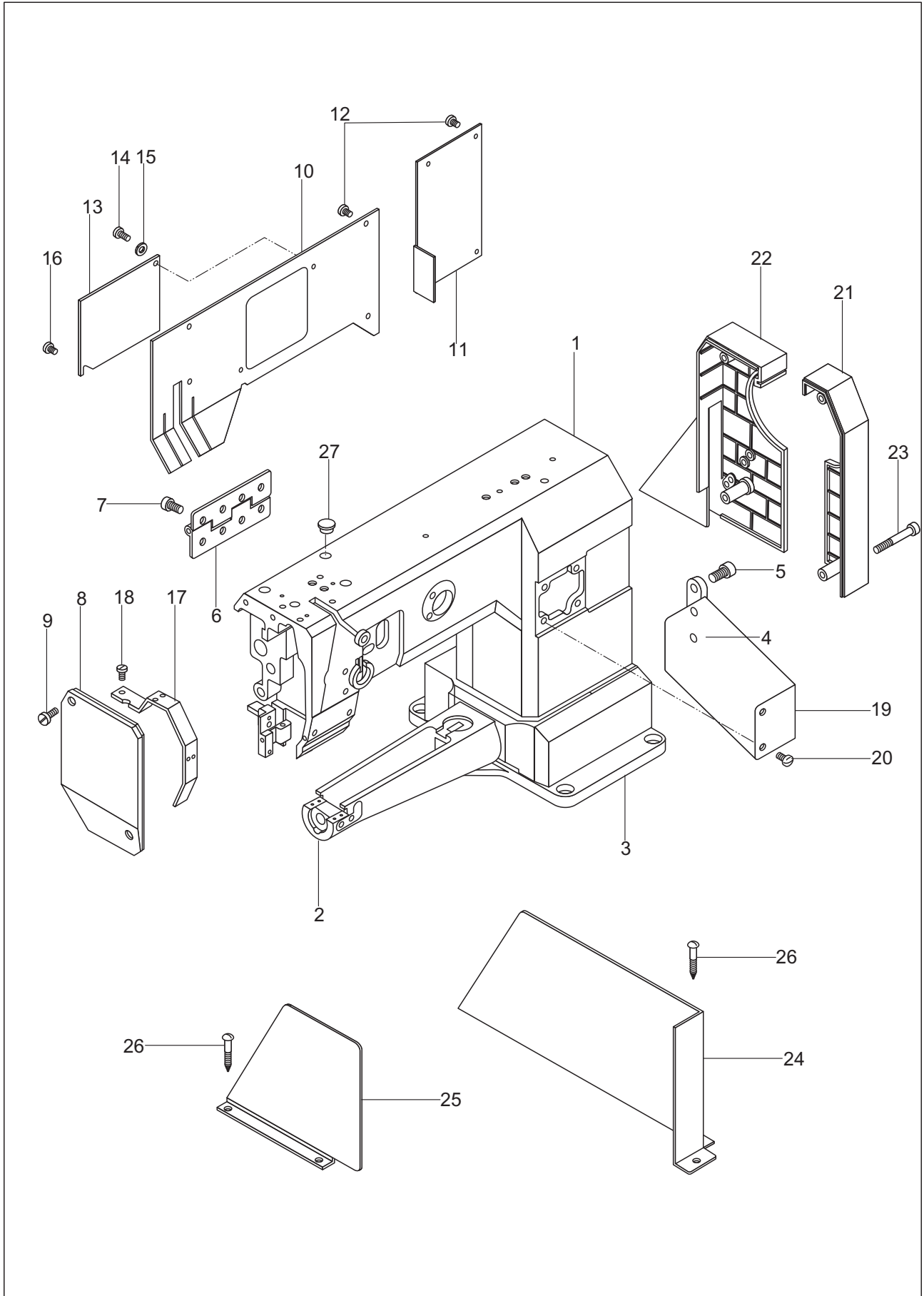
24. Adjusting the position of needle up and down(Fig. 27)

- 1.Raise the needle bar 10mm from its lowest position, this is the needle down position;
- 2.When the thread take up lever at its highest position, this is needle up position.



PARTS MANUAL

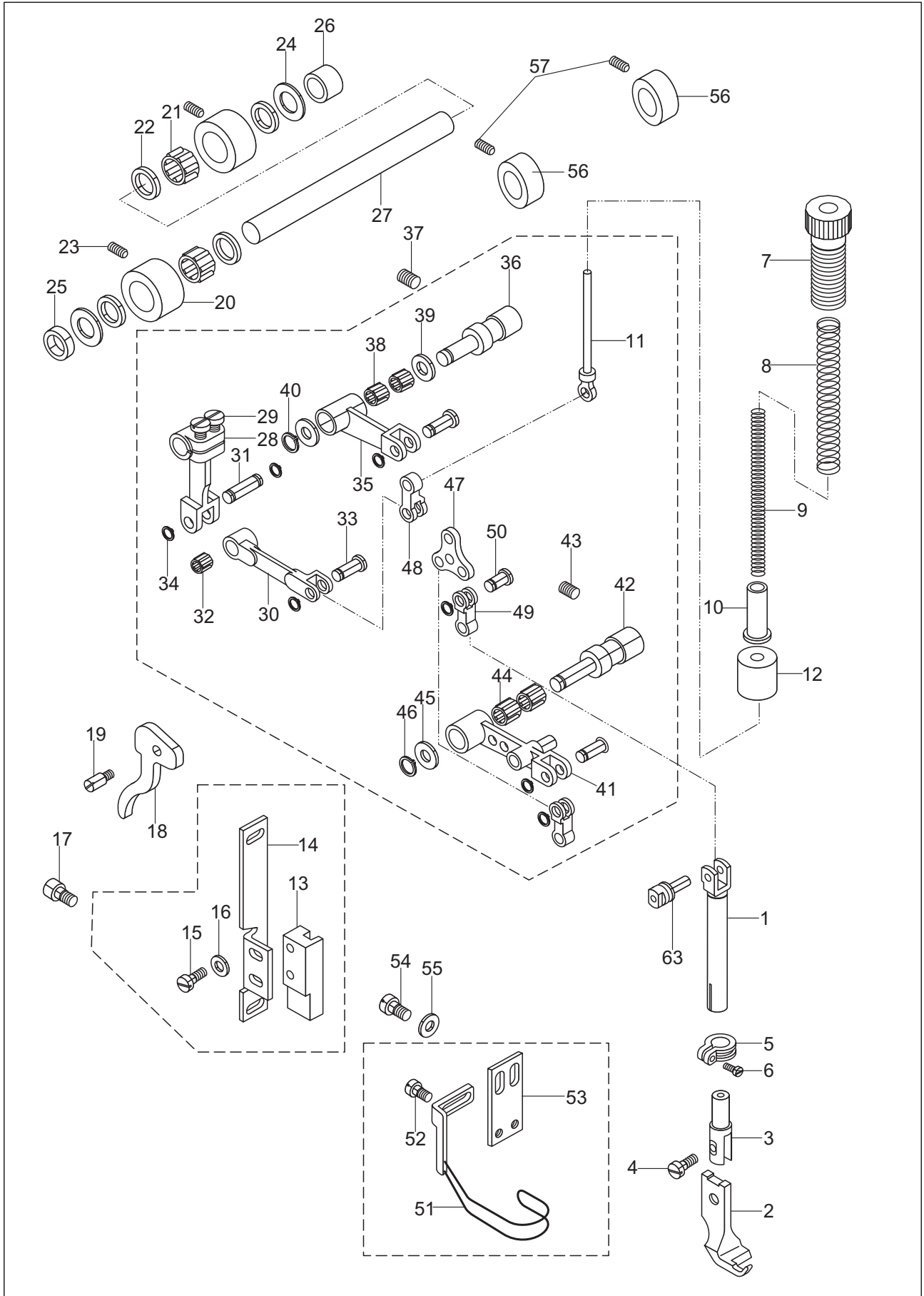
1. Machine casting components



1. Machine casting components

No.	Parts No.	Name	Qty.	Remarks
1	79WF2-001	Arm	1	
2	252WF2-001	Cylinder bed	1	
3	252WF2-007	Base	1	
4	79WF2-004	Connecting block	1	
5	72WF5-019	Screw	3	
6	50WF2-006	Hinge	1	
7		Screw	8	GB/T70.1 M6×12
8	71WF2-003	Face plate	1	TW3-341
9		Screw	2	GB70-M8×15
10	71WF2-004	Rear-left cover	1	
11	252WF2-008	Rear-right cover	1	GB65-M5×16
12		Screw	8	
13	71WF2-006	Small cover	1	
14	71WF2-007	Screw	1	GB67-M5×8
15		Spring	1	
16		Screw	1	
17	71WF2-008	Thread take-up lever cover	1	GB1972-80
18		Screw	1	GB67-M4×6
19	177WF2-014	Front cover	1	
20		Screw	2	GB67-M5×8
21	71WF5-005	Safety guard(1)	1	
22	71WF5-006	Safety guard(2)	1	GB67-M5×8
23		Screw	4	
24	79WF5-003	Safety guard(3)	1	
25	79WF5-004	Safety guard(4)	1	GB70-85 M5×35
26		Screw	5	

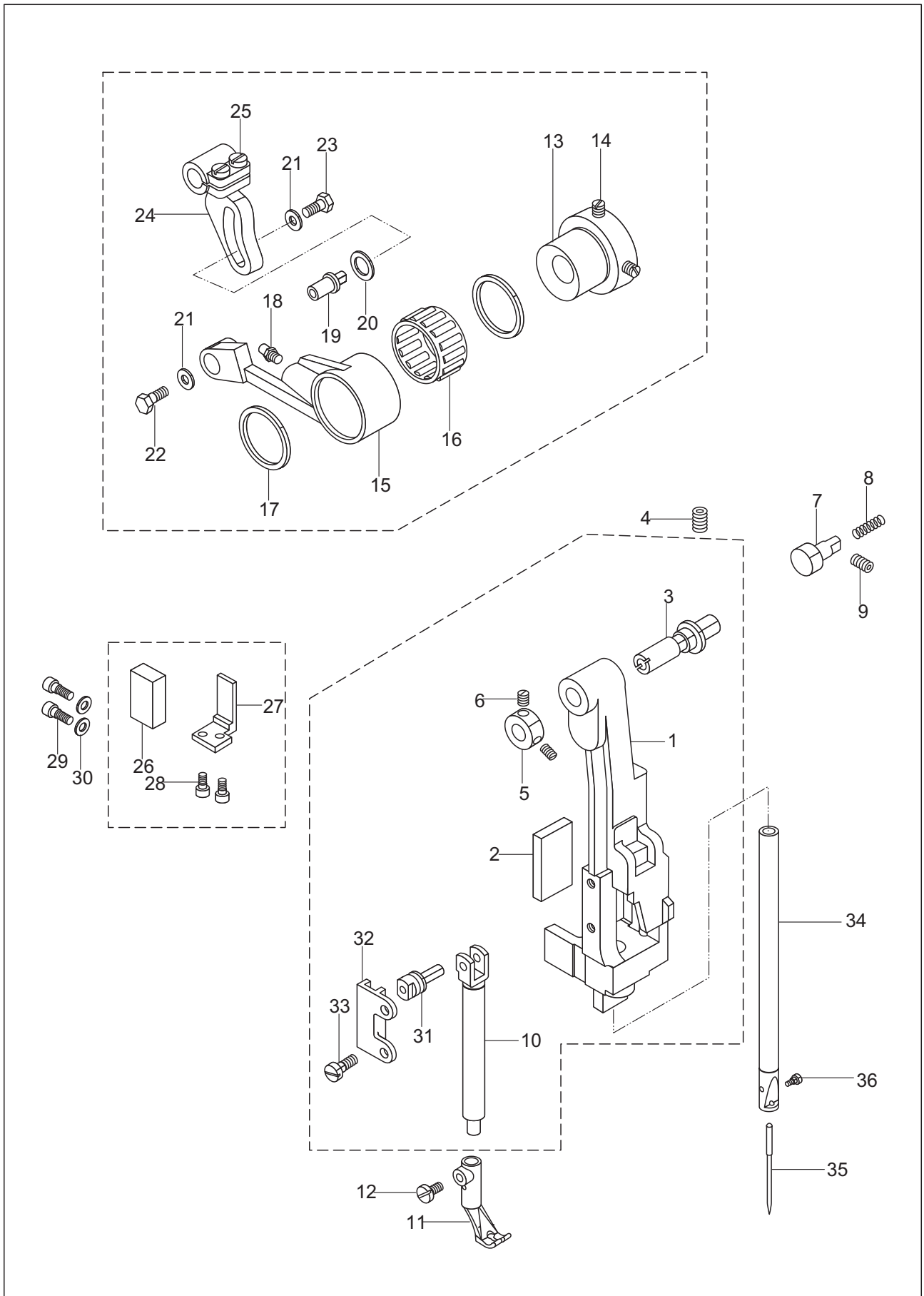
2. Needle and presser foot components



2. Needle and presser foot components

No.	Parts No.	Name	Qty.	Remarks
1	71WF4-001	Presser foot bar	1	
2	71WF4-002	Presser foot	1	
3	71WF4-003	Presser foot connector	1	
4	71WF4-004	Screw	1	
5	71WF4-005	Collar	1	
6	19WF1-013B	Screw	1	
7	71WF4-006	Screw	1	M15×1
8	71WF4-007	Spring (big)	1	
9	71WF4-008	Spring (small)	1	
10	71WF4-009	Spring bushing	1	
11	71WF4-010	Guide bar	1	
12	71WF4-011	Oil felt	1	
13	71WF4-012	Slide guide	1	
14	71WF4-013	Set plate	1	
15		Screw	2	GB65-M4×10
16		Washer	2	GB97.1-4
17		Screw	2	GB70-M5×10
18	71WF4-014	Presser foot lifting bar	1	
19	71WF4-015	Lifting bar shaft	1	
20	71WF3-018	Upper feed bushing	2	
21		Bearing	2	φ10×φ13×9.7
22	71WF3-019	Collar	4	
23		Screw	2	GB77-M6×5
24	71WF3-020	Washer	2	
25	71WF3-021	Washer (front)	1	
26	71WF3-022	Washer (rear)	1	
27	71WF3-023	Upper feed shaft	1	
28	71WF3-024	Upper feed crank (1)	1	
29		Screw	2	GB65-M5×12
30	71WF3-025	Presser foot lifting link	1	
31	71WF3-026	Pin	1	
32		Bearing	1	φ5×φ8×7.7
33		Spring	6	GB894.1-5
34	71WF3-027	Pin (long)	3	
35	71WF3-028	Upper feed crank (II)	1	
36	71WF3-029	Pin shaft	1	
37		Screw	1	GB77-M6×8
38		Bearing	2	φ6×φ9×7.7
39	71WF3-030	Washer	2	
40		Spring	1	GB894.1-6
41	71WF3-031	Upper feed crank (III)	1	
42	71WF3-032	Pin shaft	1	
43		Screw	1	GB77-M6×8
44		Bearing	2	φ7×φ10×7.5
45	71WF3-033	Washer	1	
46		Spring	1	GB894.1-7
47	71WF3-034	Movable plate	1	
48	71WF3-035	Link	1	
49	71WF3-036	Presser foot link	2	
50	71WF3-037	Pin (short)	1	
51	79WF2-014	Finger guard	1	
52		Screw	2	GB65-M4×8
53	71WF2-024	Finger guard set plate	1	
54		Screw	2	GB65-M5×8
55		Washer	2	GB97.1-5

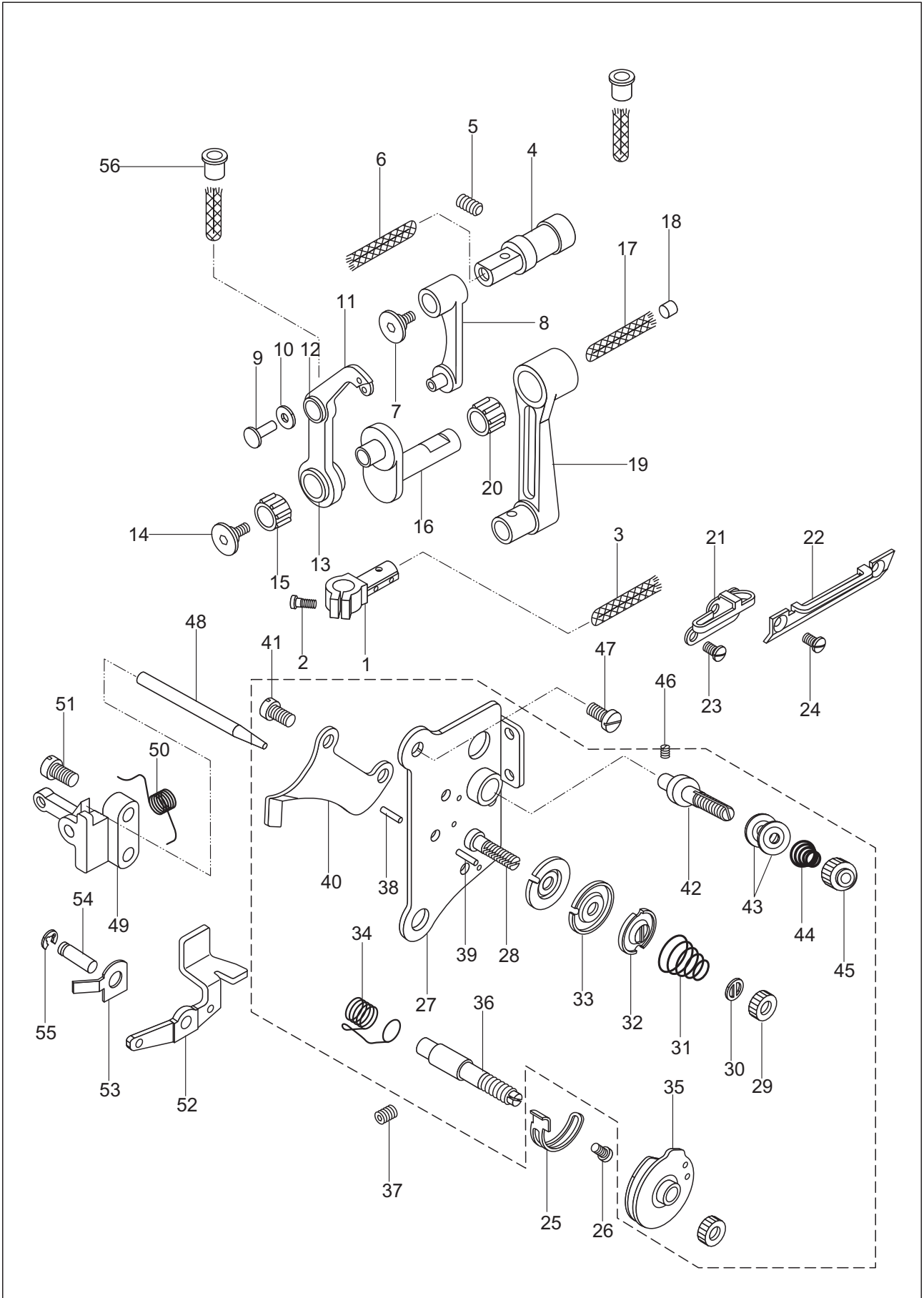
3. Needle bar frame components



3. Needle bar frame components

No.	Parts No.	Name	Qty.	Remarks
1	71WF3-003	Needle bar rocking frame	1	
2	71WF3-004	Oil felt	1	
3	71WF3-005	Hinge shaft	1	GB77-M6×8
4		Screw	1	
5	71WF3-006	Collar	1	M3×3
6	13WF1-029	Screw	2	
7	71WF3-007	Position pin	1	
8	71WF3-008	Spring	1	GB77-M5×8
9		Screw	1	
10	71WF3-015	Walking foot bar	1	
11	71WF3-016	Walking foot	1	
12	71WF3-017	Screw	1	
13	71WF3-040	Presser foot lifter cam	1	M6×0.75
14	13WF1-018	Screw	2	
15	71WF3-041	Link	1	φ22×φ26×12.6
16		Bearing	1	
17	71WF3-042	Retainer	2	GB1152-89 M6
18		Oil cup	1	
19	71WF3-043	Connecting pin	1	
20	71WF3-044	Washer	1	
21	71WF3-045	Washer	2	GB5781-M5×8
22		Screw	1	GB5781-M5×10
23		Screw	1	
24	71WF3-046	Adjusting crank	1	GB65-M5×12
25		Screw	2	
26	71WF3-083	Position block	1	
27	71WF3-084	Set plate	1	GB70-M4×8
28		Screw	2	GB70-M4×16
29		Screw	2	GB97.1-4
30		Washer	2	
31	71WF3-038	Slide block	1	
32	71WF3-039	Slide guide	1	GB65-M4×8
33		Screw — 17—	2	
34	79WF1-001	Needle bar	1	DP×35 16#
35		Needle	1	

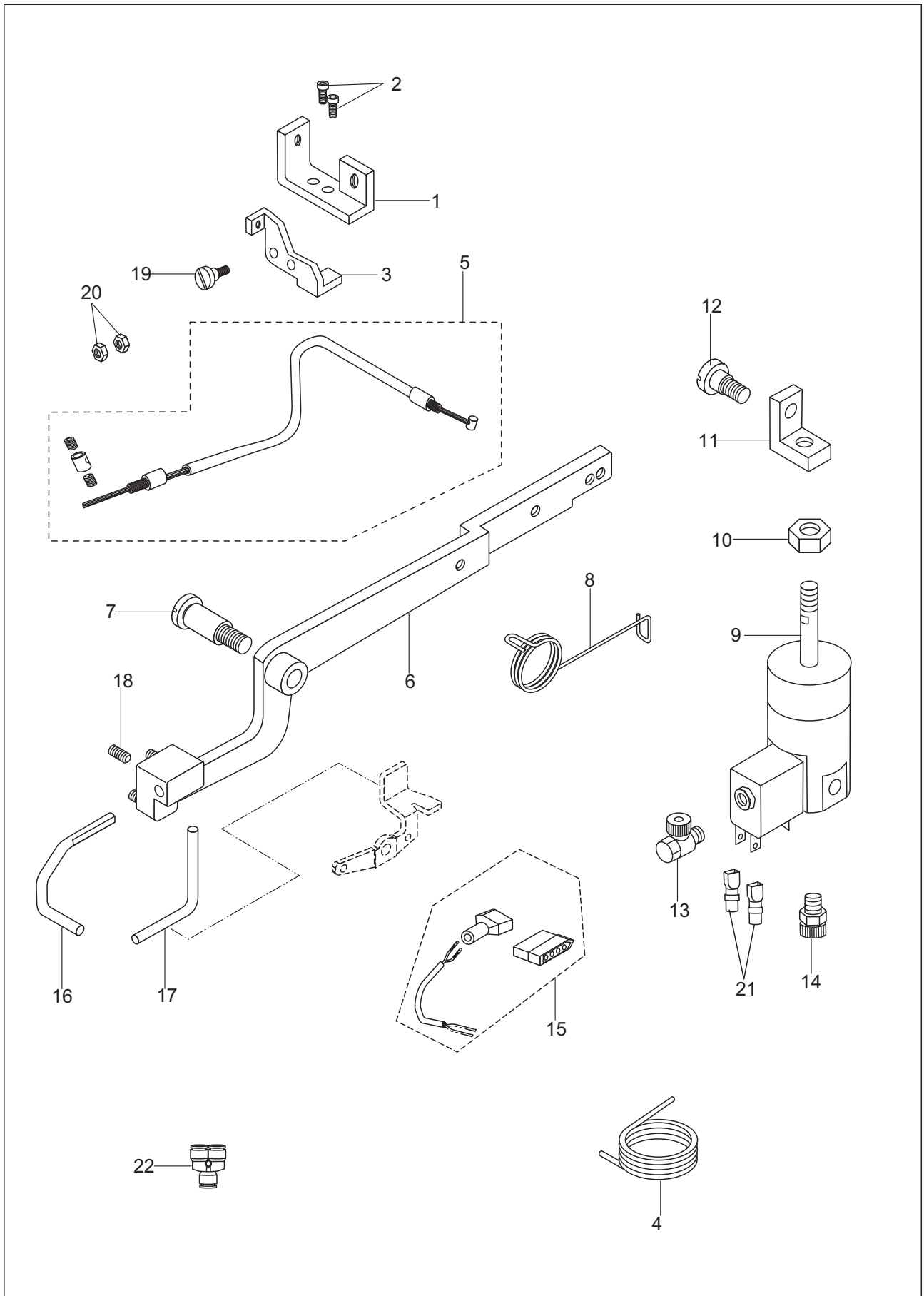
4. Thread take-up and thread tension components



4. Thread take-up and thread tension components

No.	Parts No.	Name	Qty.	Remarks
1	71WF1-004	Needle bar connector	1	
2	71WF1-005	Screw	1	M4×10
3		Oil wick	1	
4	71WF1-006	Pin shaft	1	
5		Screw	1	GB77-M6×8
6		Oil wick	1	
7	71WF1-007	Screw	1	
8	71WF1-008A	Crank	1	
9	71WF1-008B	Stud	1	
10	71WF1-008C	Washer	1	
11	71WF1-008D	Thread take-up lever	1	
12	71WF1-008E	Link bushing	1	
13	71WF1-008F	Bearing bushing	1	
14	71WF1-007	Screw	1	
15		Bearing	1	φ7×φ10×7.5
16	71WF1-009	Hinge shaft	1	
17		Oil wick	1	
18	71WF1-010	Plug	1	
19	71WF1-011	Needle bar link	1	
20		Bearing	1	φ9×φ12×12.7
21	71WF2-011	Thread guide(middle)	1	
22	71WF2-012	Thread guide (lower)	1	
23	71WF2-013	Screw	1	M5×7
24		Screw	1	GB68-M4×8
25	71WF2-016	Stop plate	1	
26		Screw	1	GB65-M4×6
27	71WF2-021A	Set plate	1	
28	71WF2-021B	Bolt	1	
29	71WF2-021C	Nut	2	
30	71WF2-021D	Washer	1	
31	71WF2-021E	Spring	1	
32	71WF2-021F	Tension release disc	1	
33	71WF2-021G	Thread tension disc	2	
34	71WF2-021H	Thread take-up spring	1	
35	71WF2-021I	Thread control plate assy.	1	
36	71WF2-021J	Bolt	1	
37		Screw	1	GB77-M5×8
38	71WF2-021K	Thread guide pin	2	
39	71WF2-021L	Thread release pin	1	
40	71WF2-021M	Thread release plate	1	
41	71WF2-021N	Screw	2	SM9/64"×40
42	252WF2-009	Screw	1	
43	22T1-009E3	Tension disc	2	
44	36T2-006D3	Spring	1	
45	36T2-006D4	Nut	1	
46		Screw	1	GB73-M4×8
47		Screw	1	GB67-M4×10
48	71WF2-022	Thread release bar	1	
49	71WF4-033	Thread release bracket assy.	1	
50	71WF4-034	Spring	1	
51	71WF4-035	Screw	2	M5×6
52	71WF4-036	Thread release lever	1	
53	71WF4-037	Spring plate	1	
54	71WF3-053	Lever stud	1	

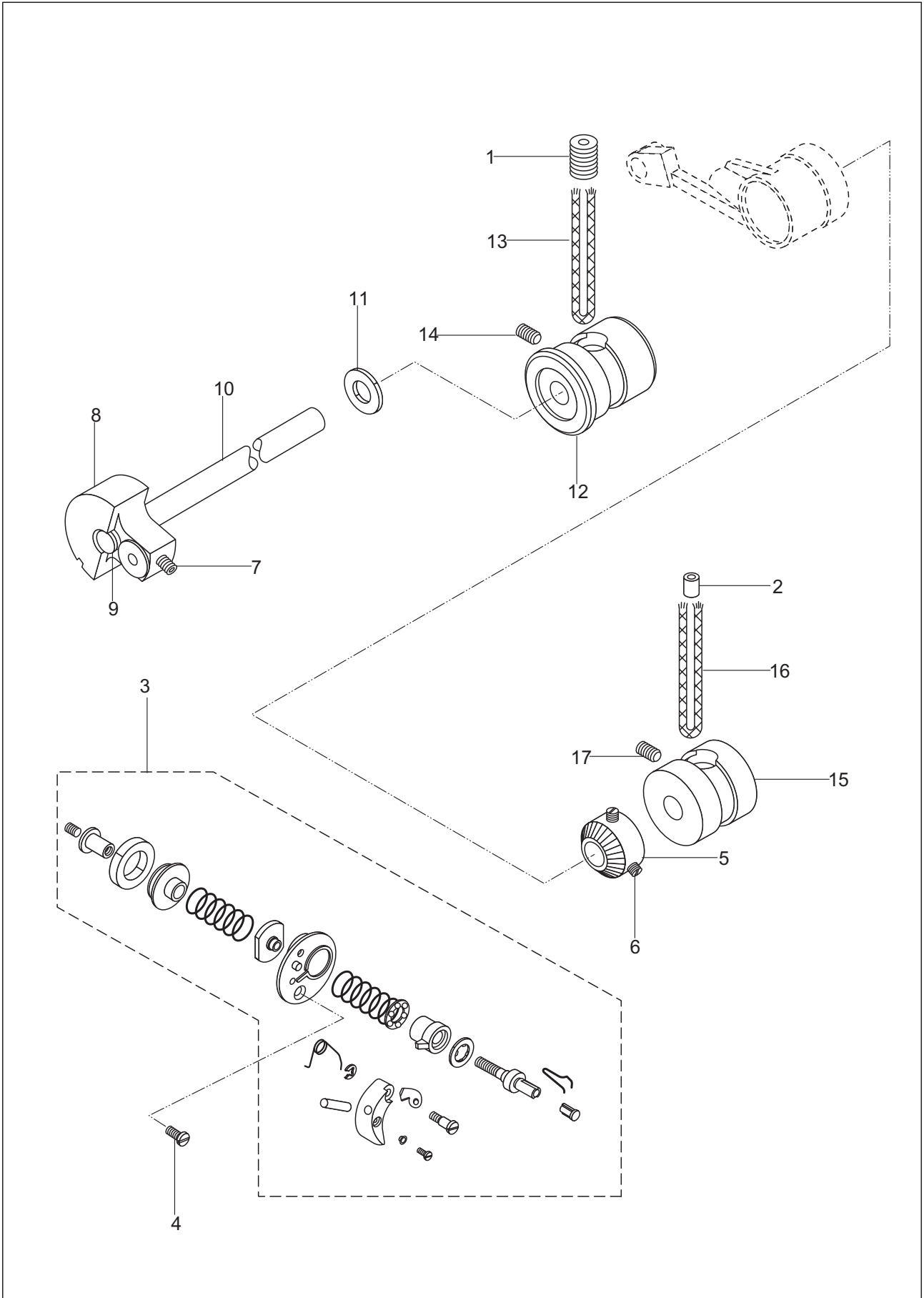
5. Auto-lifter components




5. Auto-lifter components

No.	Parts No.	Name	Qty.	Remarks
1	177WF7-008	Tension crank base	1	
2	89WF2-016	Screw	2	
3	177WF7-009	Thread tension crank	1	
4		Air pipe	2	
5	177WF7-011	Steel cord assy.	1	
6	71WF4-016	Knee lifter lever	1	
7	71WF4-017	Screw	1	
8	71WF4-018	Spring	1	M4X10
9	177WF8-001	Air cylinder assy.	1	
10	93WF8-034	Nut	1	
11	252WF7-001	Connector	1	
12	177WF8-003	Screw	1	
13	177WF5-007	Joint	1	
14	93WF7-009	Silencer	1	
15	177WF8-004	Cord assy.	1	
16	71WF4-039	Presser foot lifter bent bar	1	GB/T6172.1 M8
17	71WF4-040	Tension release bent bar	3	
18		Screw	1	
19	177WF7-010	Nut	2	
20		Cover	1	
21	80WF8-005	Joint	1	
22	177WF8-006			GB79-M5×5
				GB/T6172.1 M5
				APY 6

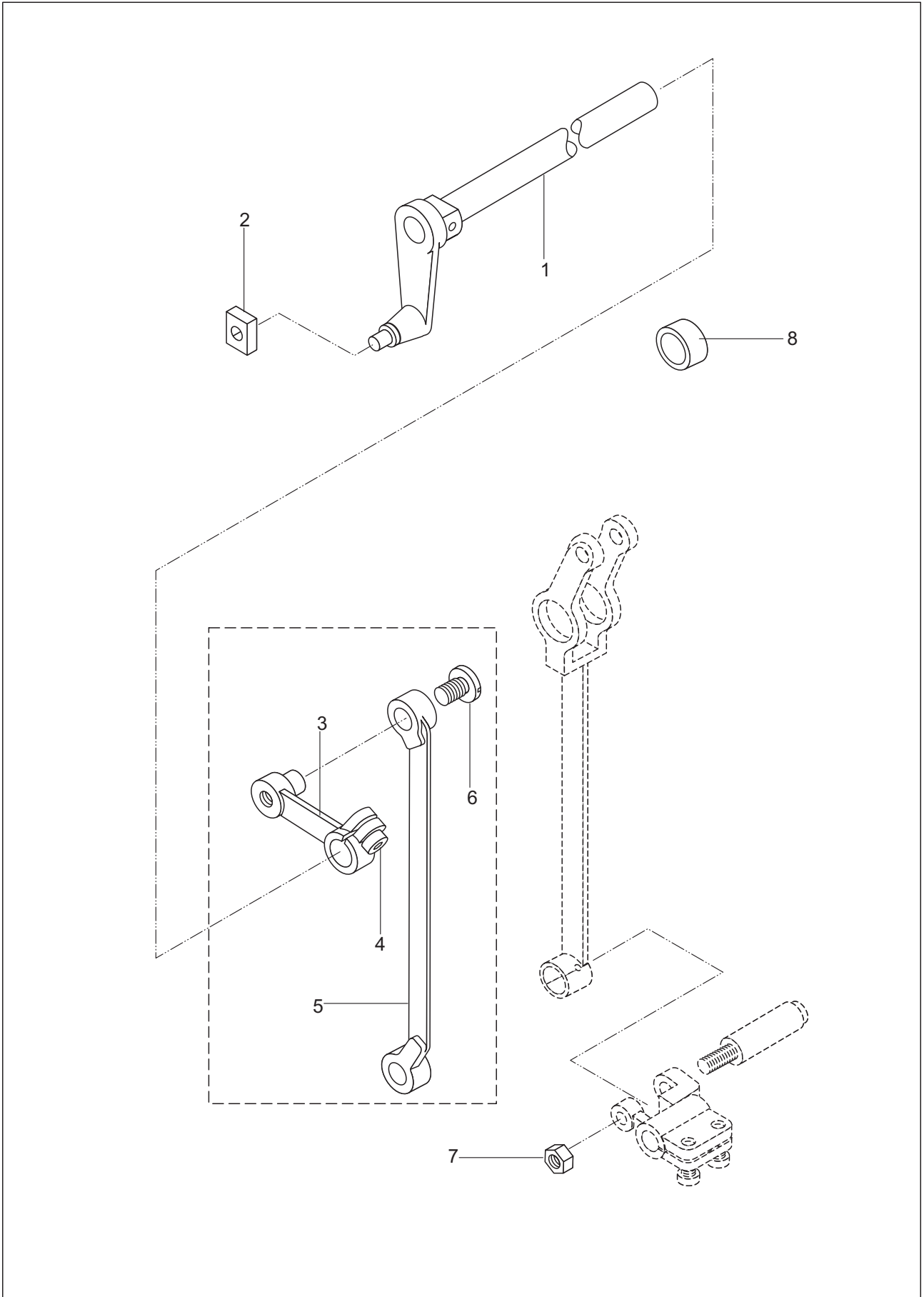
6. Upper shaft and thread winding components



6. Upper shaft and thread winding components

No.	Parts No.	Name	Qty.		Remarks
			P335-D2T3	P335B-D2T3	
1	71WF2-029	Oil plug	1	1	
2	71WF2-030	Oil plug	1	1	
3	79WF2-017A	Bobbin thread winder assy.	1	/	
	79WF2-017B	Bobbin thread winder assy.	/	1	
4		Screw	1	1	
5	71WF2-035	Friction wheel	1	1	
6	13WF1-018	Screw	2	2	
7		Screw	2	2	
8	71WF1-012	Needle bar crank	1	1	
9	71WF1-013	Oil plug	1	1	
10	71WF1-014	Upper shaft	1	1	
11	71WF1-015	Washer	1	1	GB68-M4×8
12	71WF1-016	Upper shaft bushing (L)	1	1	
13		Oil wick	1	1	M6×0.75
14		Screw	1	1	GB77-M6×5
15	71WF1-017	Upper shaft bushing (M)	1	1	
16		Oil wick	1	1	
17		Screw	1	1	
					GB77-M6×8
					GB77-M6×8

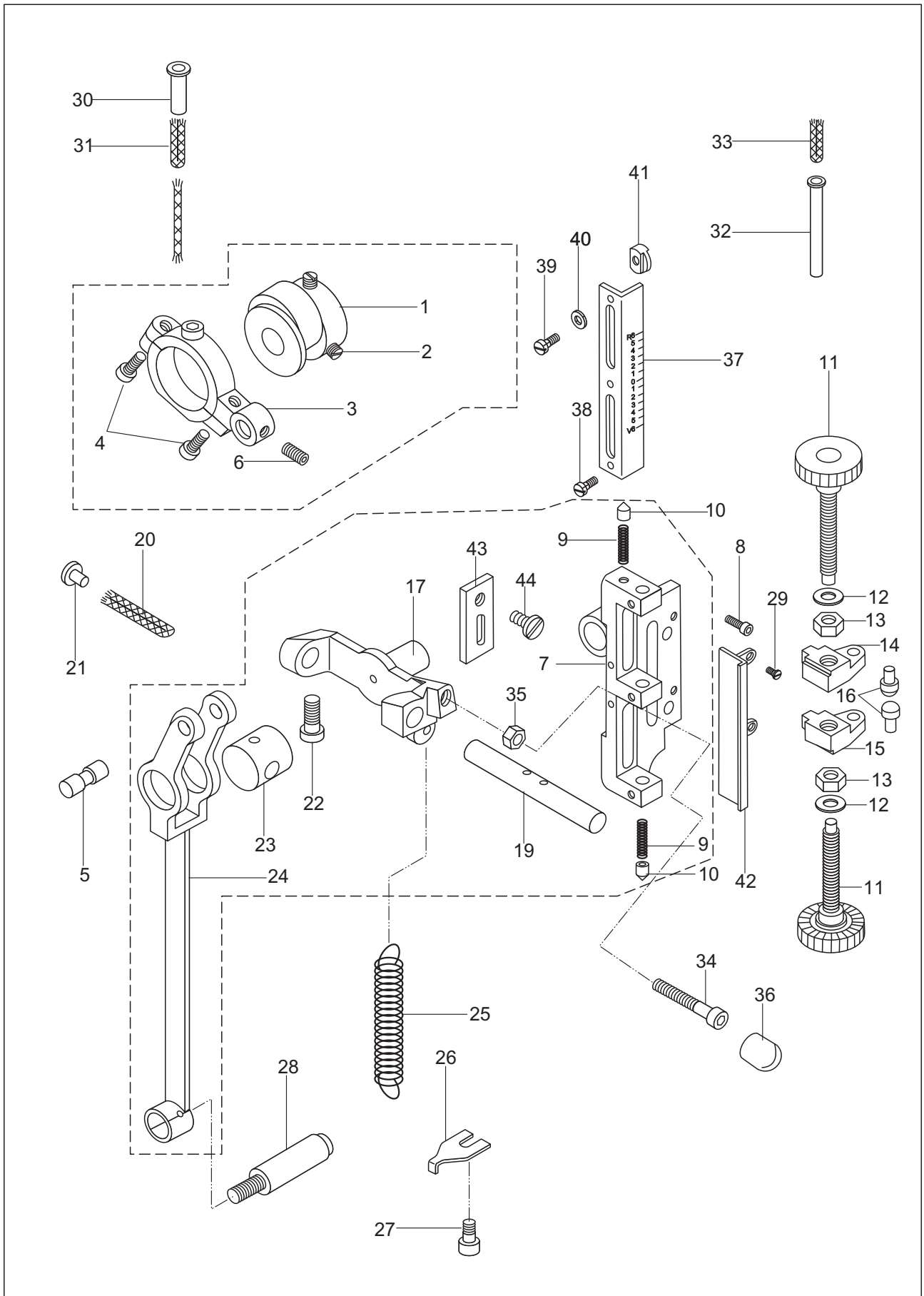
7. Needle bar frame rocking shaft components



7. Needle bar frame rocking shaft components

No.	Parts No.	Name	Qty.	Remarks
1	71WF3-001	Rocking shaft assy.	1	
2	71WF3-002	Slide block	1	
3	252WF3-005	Driving crank	1	
4	22WF4-025	Screw	1	
5	71WF3-010	Link	1	
6	71WF3-011	Screw	1	
7	71WF3-014	Nut	1	
8	252WF3-005	Collar	1	
				SM17/64"×32
				SM17/64"×28

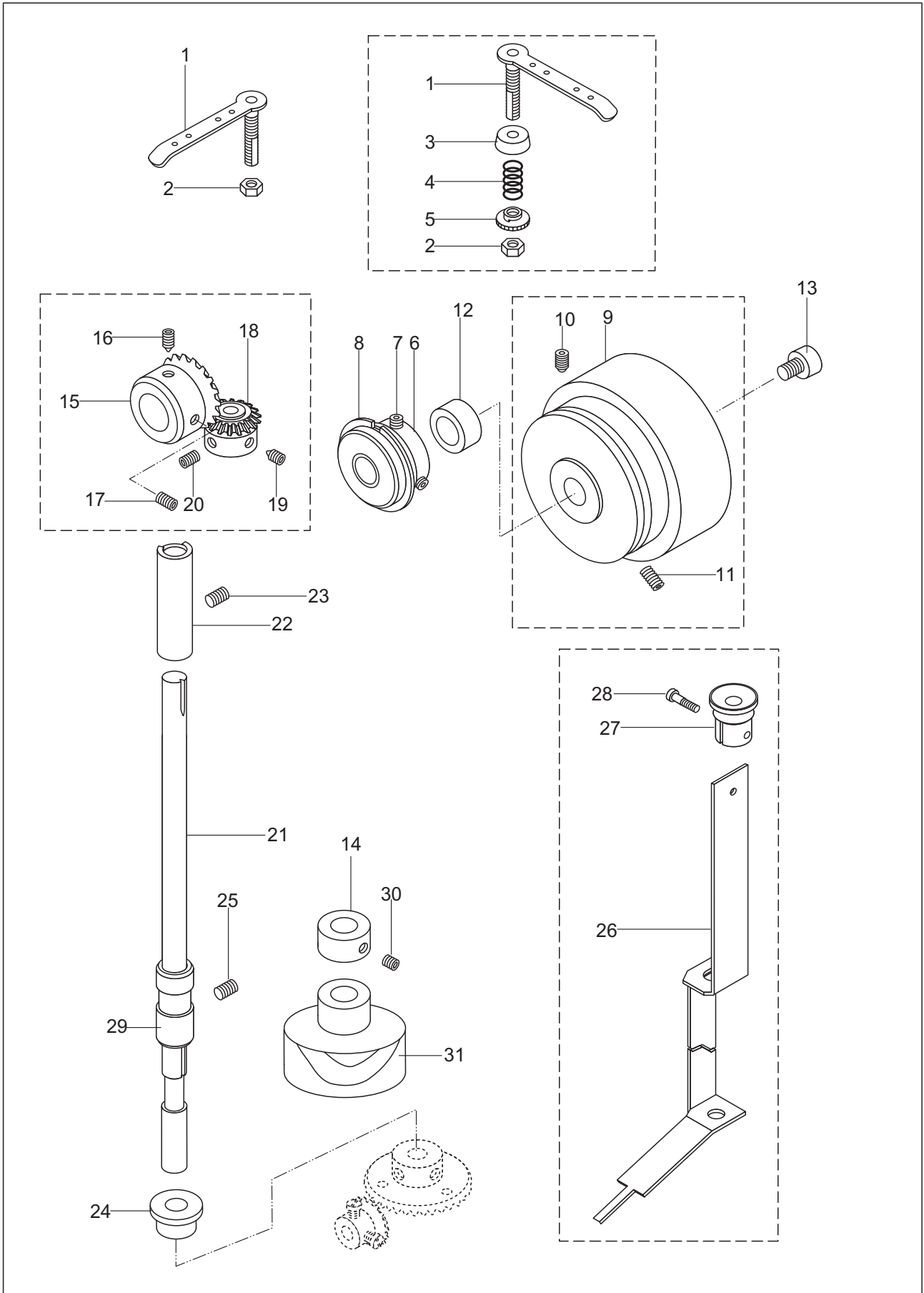
8. Feed adjustment components



8. Feed adjustment components

No.	Parts No.	Name	Qty.	Remarks
1	71WF3-047	Feed cam	1	
2	22T2-005B3	Screw	2	SM1/4"×40
3	71WF3-048	Feed crank	1	
4		Screw	2	GB70-M5×12
5	71WF3-049	Connecting pin	1	
6		Screw	1	GB77-M4×5
7	177WF3-001	Stitch length label base	1	
8		Screw	2	GB/T70.1 M6×16
9	177WF3-009	Spring	2	
10	177WF3-010	Screw bar	2	
11	177WF3-007	Screw bar assy.	2	
12	71WF3-044	Washer	2	
13	93WF8-034	Nut	2	GB/T 6172.1 M8
14	177WF3-006	Crank (upper)	1	
15	177WF3-013	Crank (lower)	1	
16	177WF3-011	Pad	2	
17	177WF3-002	Stitch length adjusting bracket	1	
19	71WF3-059	Shaft	1	
20		Oil wick	1	
21	71WF1-013	Oil plug	1	
22	71WF3-060	Screw	1	
23	71WF3-061	Slide block	1	
24	71WF3-062	Feed link	1	
25	71WF3-063	Spring	1	
26	79WF3-008	Spring hook	1	
27		Screw	1	GB70-85 M6×10
28	71WF3-013	Crank stud	1	
29		Screw	2	GB/T65 M4X5
30	71WF2-027	Oil pipe	1	
31		Oil wick	1	
32	71WF2-028	Oil pipe	1	
33		Oil wick	1	
34		Stitch length adjusting handle	1	GB/T70.1 M8×70
35	177WF3-004	Nut	1	
36	177WF3-003	Cover	1	
37	177WF3-005	Stitch length label	1	
38		Screw	3	GB/T65 M4×5
39		Screw	2	GB/T65 M4×4
40		Washer — 27 —	2	GB/T848 4
41	177WF3-012	Locking block	2	
42	177WF3-008	Plate	1	

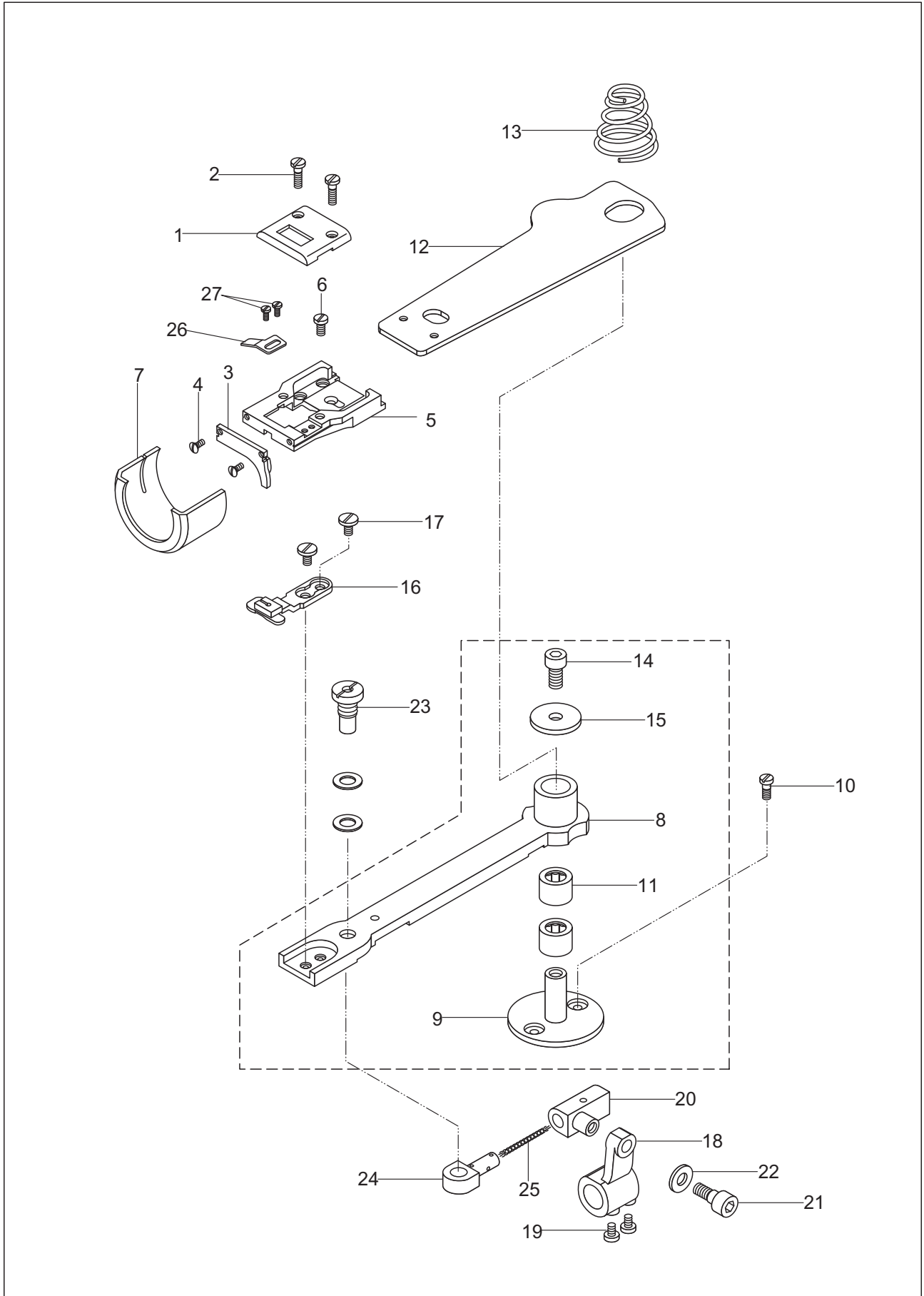
9. Vertical shaft components




9. Vertical shaft components

No.	Parts No.	Name	Qty.	Remarks
1	71WF2-014	Thread guide assy.	1	
2		Nut	1	
3	71WF2-015A	Thread tension plate	1	
4	71WF2-015B	Spring	1	
5	71WF2-015C	Nut	1	
6	71WF1-018	Bushing	1	
7	71WF1-063J	Screw	2	
8		Bearing	1	
9	71WF1-022	Hand wheel	1	GB6170-M6
10		Screw	1	
11		Screw	1	
12	71WF1-023	Washer	1	
13	100WF7-001	Screw bar	1	
14	252WF1-005	Collar	1	M6×0.75
15	252WF1-001	Gear	1	6002-2ZNR 15×32×9
16	199WF1-052	Screw	1	
17	42WF1-014	Screw	1	GB78-M6×0.75
18	252WF1-002	Vertical shaft gear (upper)	1	GB77-M6×0.75
19	52WF5-020	Screw	1	
20	2KT5-027	Screw	1	GB68-M6×20
21	252WF1-003	Vertical shaft	1	
22	79WF1-009	Bushing	1	
23		Screw	1	
24	252WF1-004	Bushing	1	
25		Screw	1	
26	79WF1-011	Oil felt	1	
27	79WF1-012	Oil mouth	1	
28		Screw	1	
29	79WF1-010	Bushing	1	— 29 —
30	84WF3-043	Screw	1	GB77-M6×8
31	252WF6-016	Thread trimming driving cam	1	

10. Lower feed components

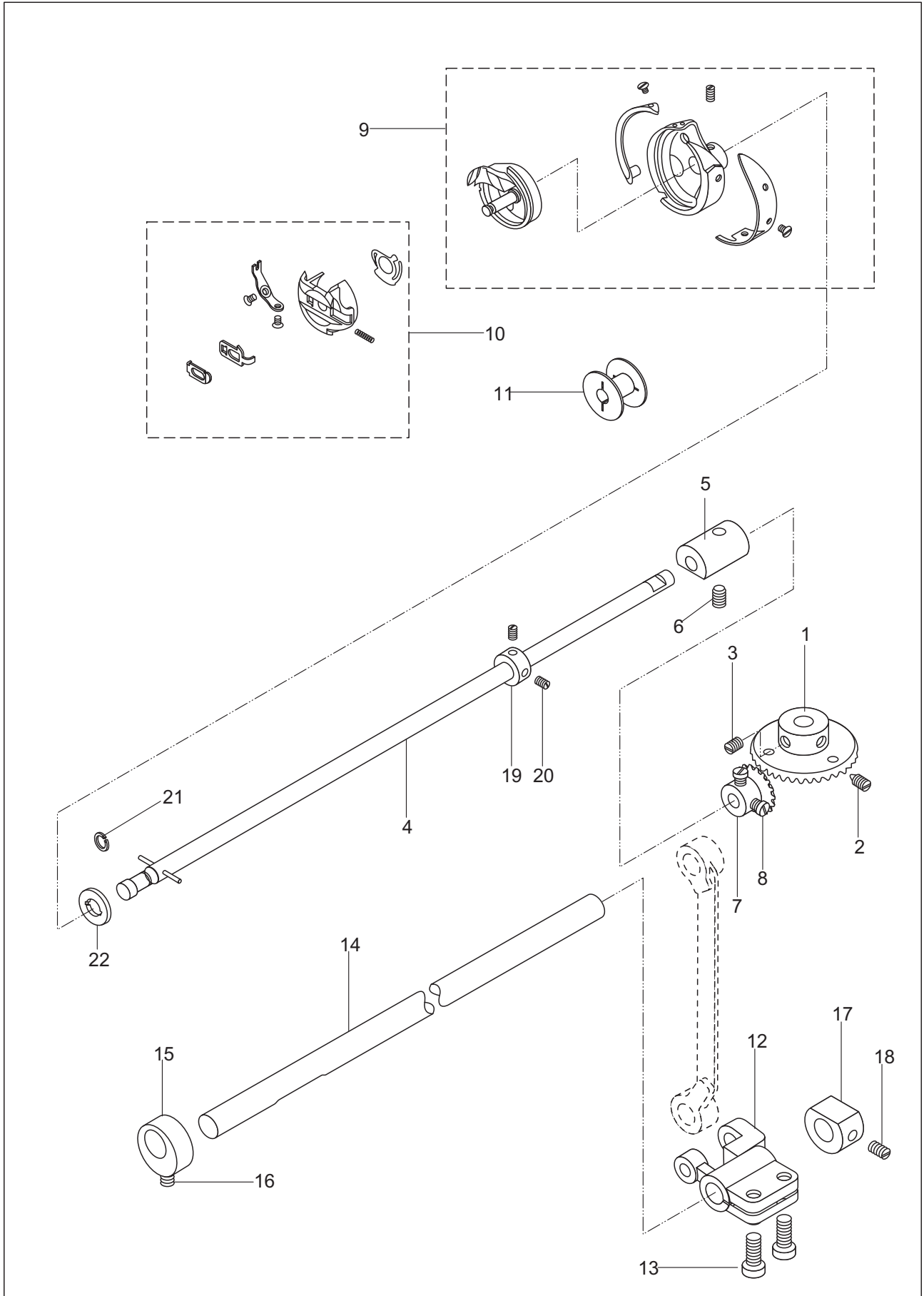


10. Lower feed components

No.	Parts No.	Name	Qty.	Remarks
1	79WF2-006	Needle plate	1	
2	79WF2-007	Screw	2	
3	252WF2-002	Position block	1	
4	 252WF2-002	Screw	2	
5	252WF2-003	Position block bracket	1	
6	265405	Screw	4	
7	252WF2-004	Cover	1	
8	79WF3-012	Feed dog carrier assy.	1	
9	79WF3-013	Pedestal	1	SM9/64"×40
10		Screw	1	
11		Gear	2	GB68-M2.5×3.5
12	79WF3-014	Cover plate assy.	2	
13	49WF2-029	Spring	1	SM9/64"×40
14		Screw	1	
15	79WF3-015	Washer	1	
16	79WF3-016	Feed dog	1	
17	79WF3-017	Screw	2	GB65-M4×6
18	252WF3-004	Driving crank	1	HK0810
19	1WF2-009	Screw	2	
20	79WF3-019	Connecting block	1	
21		Screw	1	GB70-M5×10
22	79WF3-020	Washer	1	
23	79WF3-021	Pin	1	
24	79WF3-022	Connector	1	SM9/64"×40
25		Oil felt	1	
26	252WF6-003	Fixed knife	1	SM1/4"×40
27		Screw	2	

GB70-M4×8

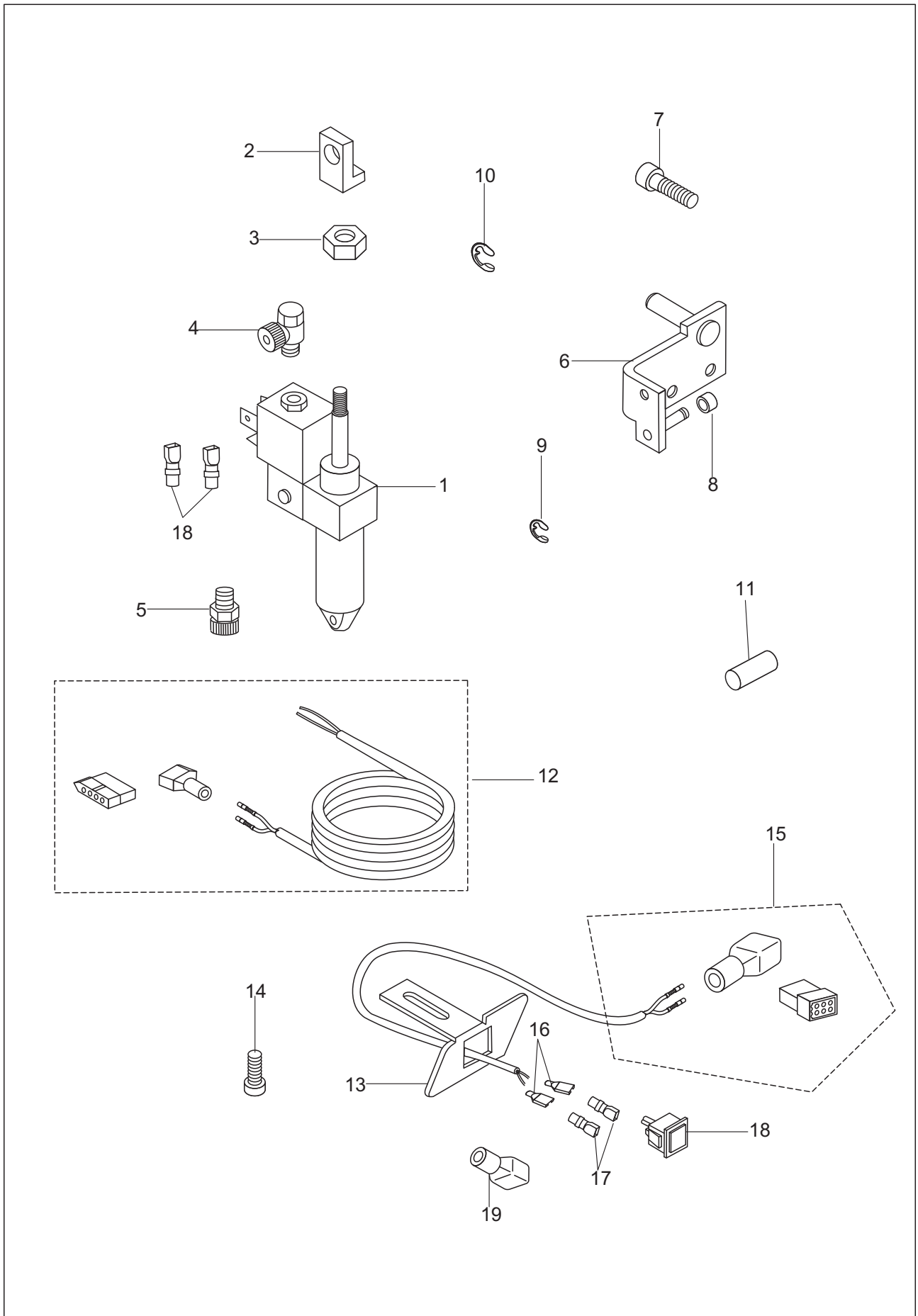
11. Lower shaft and hook components



11. Lower shaft and hook components

No.	Parts No.	Name	Qty.		Remarks
			P335-D2T3	P335B-D2T3	
1	252WF1-006	Vertical shaft gear	1	1	
2	52WF5-020	Screw	1	1	
3	2KT5-027	Screw	1	1	
4	252WF2-007	Lower shaft	1	1	
5	252WF1-010	Bushing	2	2	
6		Screw	1	1	
7	252WF1-008	Lower shaft gear	1	1	
8	2KT5-027	Screw	2	2	
9	79WF1-017	Hook assy.	1	/	
	95WF1-001	Hook assy.	/	1	
10	79WF1-018	Bobbin case assy.	1	/	GB77-M6×8
11	49WF1-033	Bobbin	1	/	
	95WF1-002	Bobbin	/	1	SM11/64"×40
12	79WF3-002	Feed shaft crank	1	1	
13		Screw	2	2	
14	252WF3-001	Feed shaft	1	1	
15	252WF3-002	Collar	1	1	
16		Screw	1	1	
17	79WF3-011	Collar	1	1	GB65-M6×12
18	17028	Screw	1	1	
19	79WF1-019	Collar	1	1	
20	16004	Screw	2	2	GB/T77 M4X5
21		Collar	1	1	
22	252WF1-009	Washer	1	1	SM11/64"×40

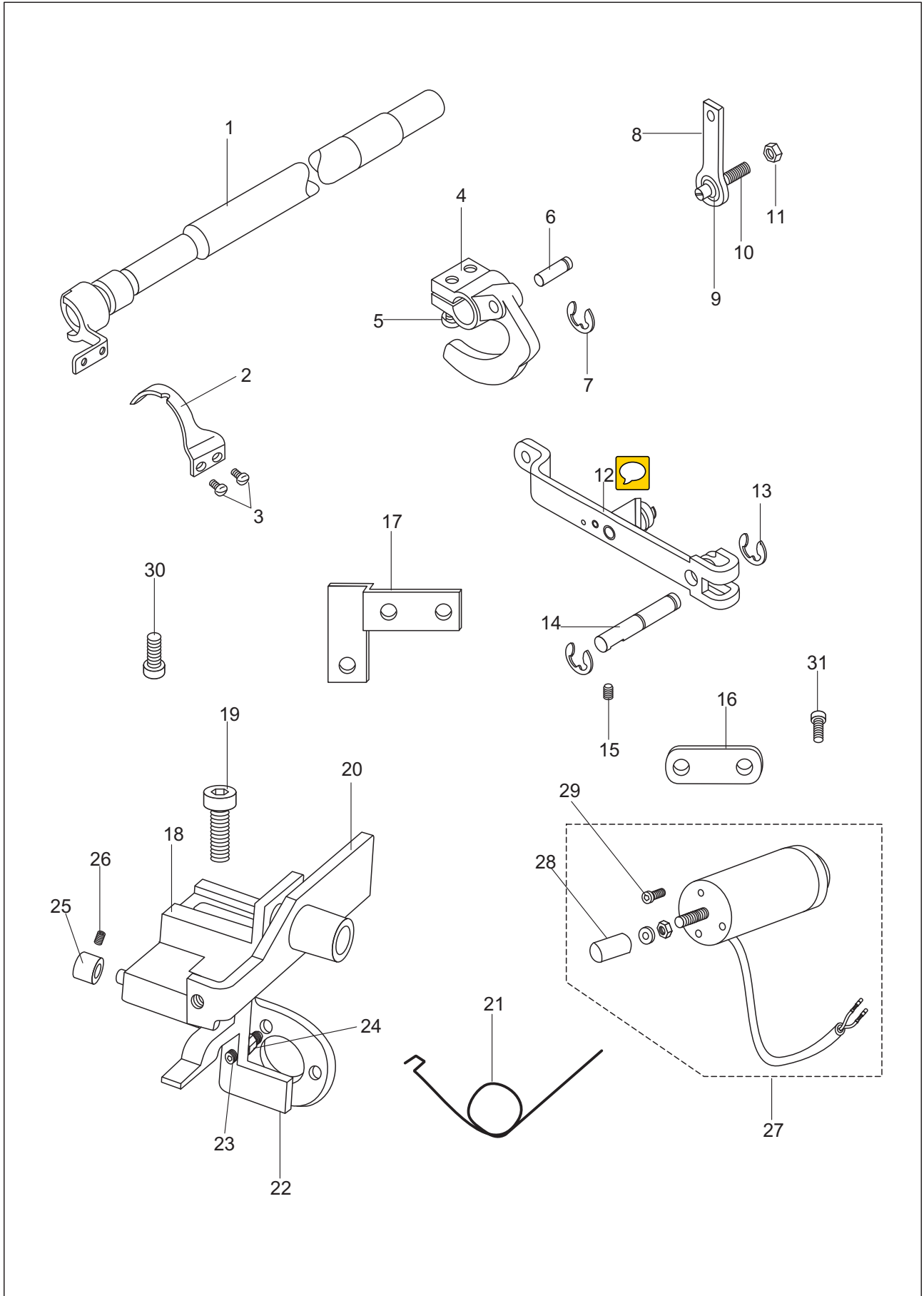
12. Auto-reverse stitching components





12. Auto-reverse stitching components

No.	Parts No.	Name	Qty.	Remarks
1	177WF5-001	Cylinder assy.	1	
2	252WF5-001	Joint	1	
3		Nut	1	GB/T6172.1 M5
4	177WF5-007	Joint	1	
5	252WF5-003	Silencer	1	
6	177WF5-003	Bracket	1	
7		Screw	2	GB/T70.1 M5×12
8	177WF5-004	Washer	1	
9		Spring	1	GB896 4
10		Retainer	1	GB896 5
11	252WF5-002	Pin	1	
12	177WF5-009	Wire assy.	1	
13	177WF5-006	Carrier for reverse stitching switch	1	
14		Screw	2	GB/T70.1 M5×10
15	177WF5-008	Wire assy.	1	
16	80WF8-004	Joint	2	
17	80WF8-005	Cover	4	
18	119WF8-019	Switch button	1	
19	177WF5-010	Cover	1	

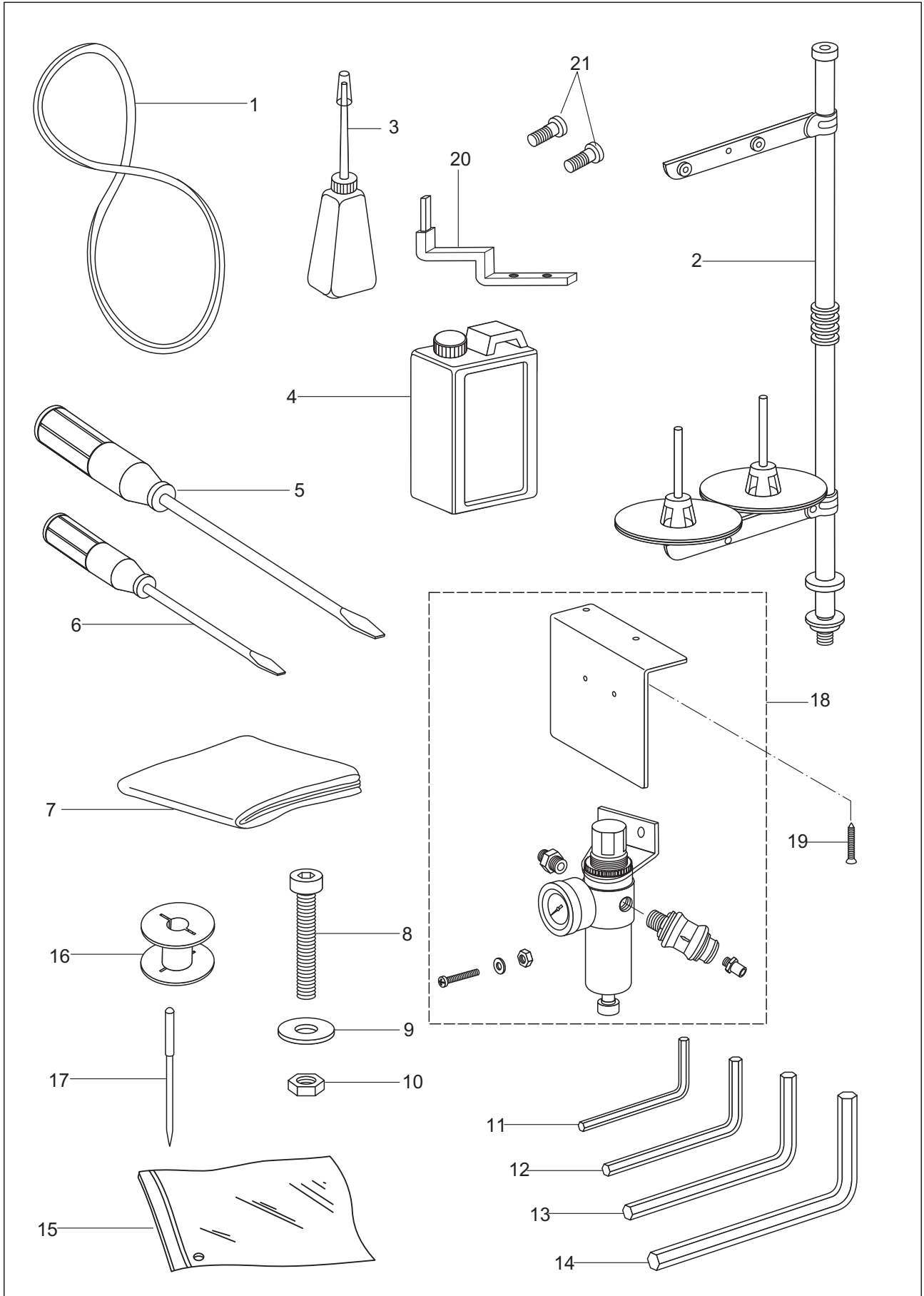
13. Automatic thread trimmer components



13. Automatic thread trimmer components

No.	Parts No.	Name	Qty.	Remarks
1	252WF6-002	Shaft	1	
2	252WF6-001	Movable knife	1	
3		Screw	2	GB/T65 M3X3
4	252WF6-004	Clutch lever	2	GB/T65 M5X12
5		Screw	2	
6	252WF6-006	Pin	1	
7		Retainer	1	GB896 3
8	252WF6-005	Link	1	
9	252WF6-007	Roller	1	GE4E
10	252WF6-008	Screw bar	1	
11	13WF3-074	Nut	1	
12	252WF6-019A	Bracket assy. 	1	
13		Retainer	2	GB896 5
14	252WF6-021	Pin	1	
15	2KT5-036B	Screw	1	
16	252WF6-020	Washer	1	
17	252WF6-018	Bracket assy.	1	
18	252WF6-009	Solenoid carrier	1	
19		Screw	2	GB/T70.1 M6X16
20	252WF6-014	Thread trimming driving crank	1	
21	252WF6-015	Spring 	1	
22	252WF6-012	Driving crank	1	
23		Screw	1	GB/T79 M4X20
24	11KT3-021	Nut	1	
25	252WF6-013	Collar	1	
26		Screw	1	GB/T77 M4X4
27	252WF6-010	Solenoid assy.	1	
28	252WF6-011	Block	1	
29		Screw	3	GB/T70.1 M4X8
30	13WF2-040	Screw	2	

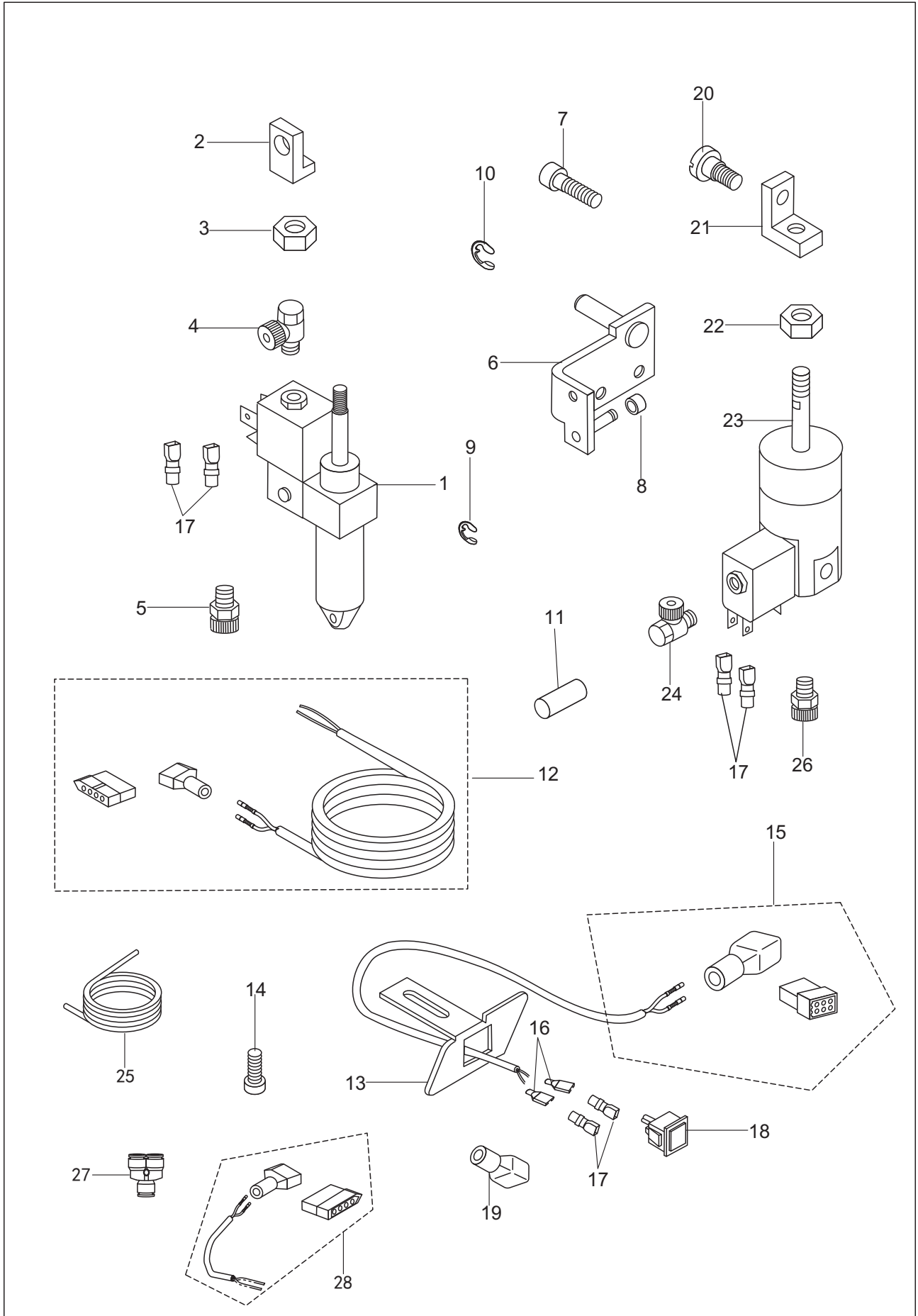
14. Accessories



14. Accessories

No.	Parts No.	Name	Qty.		Remarks
			P335-D2T3	P335B-D2T3	
1		V-belt	1	1	
2	4F-007	Thread stand assy.	1	1	
3	33TF-011	Oil pot	1	1	
4	1F-009	Oil tank	1	1	
5	33TF-013	Screwdriver (M)	1	1	
6	33TF-014	Screwdriver (S)	1	1	
7	1F-013	Machine cover	1	1	
8		Screw	4	4	
9		Washer	4	4	S=2.5mm
10		Nut	4	4	S=3mm
11		Wrench	1	1	S=4mm
12		Wrench	1	1	S=5mm
13		Wrench	1	1	
14		Wrench	1	1	
15	33TF-010	Parts bag	1	1	DP×35 16#
16	49WF1-033	Bobbin	6	/	
	95WF1-002	Bobbin	/	6	GB/T845 ST3.5×12
17		Needle	3	3	M4×8
18	177WF10-006	Integrator assy.	1	1	
19		Screw	2	2	
20	100WF7-002	External synchronizer support	1	1	
21	13WF2-040	Screw	2	2	

15.Pneumatic parts (252WF5-004)



TW3-P335

CYLINDER BED COMPOUND FEED LOCKSTITCH SEWING
MACHINE WITH AUTOMATIC THREAD TRIMMER



This machine may only be operated by adequately trained operators only after having completely read and understood the instruction manual.

Parts are subject to changes in design without prior notice.



VETRON TYPICAL EUROPE GmbH
Clara-Immerwahr-Str. 6
67661 Kaiserslautern, Germany
Tel.: +49 6301 320 75-0
Fax: +49 6301 320 75-11

info@vetrontypical.com
www.vetrontypical.com